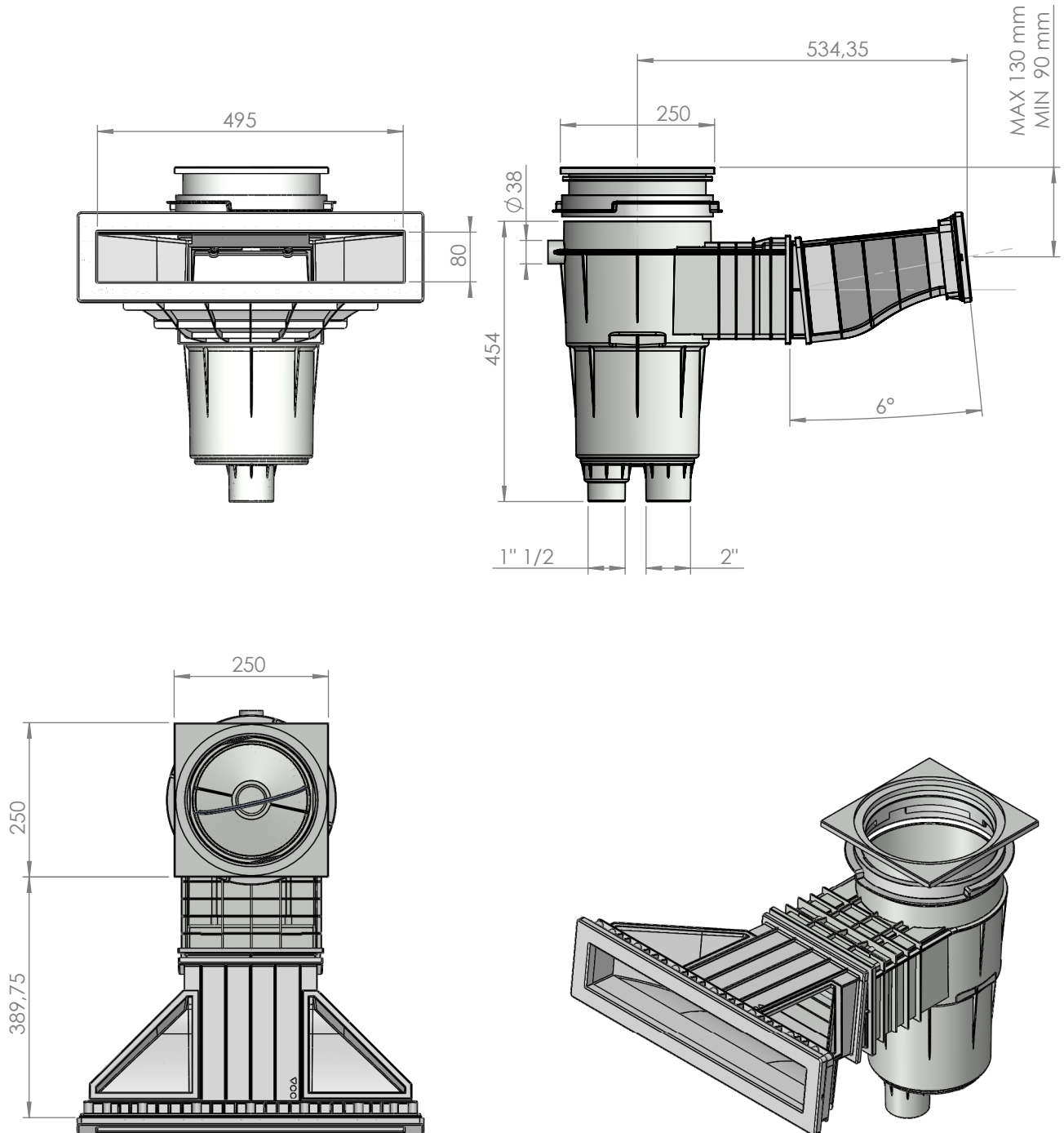


CODIGO / CODE: **57114**
DESCRIPCION: **SKIMMER 17,5L 6° BOCA 495 X 80 C/ INSERTOS**
DESCRIPTION: **SKIMMER 6° 495 X 80 WITH INSERTS**



| | |
|-------------------|-----------------------|
| Caudal máximo | 7,5 m ³ /h |
| Maximum flow rate | 7,5 m ³ /h |

| | |
|-------------|-----------------------|
| Conexiones | 1" 1/2 BSP y 2" BSP |
| Connections | 1" 1/2 BSP and 2" BSP |

Nota: Unidades en mm
Note: Units in mm