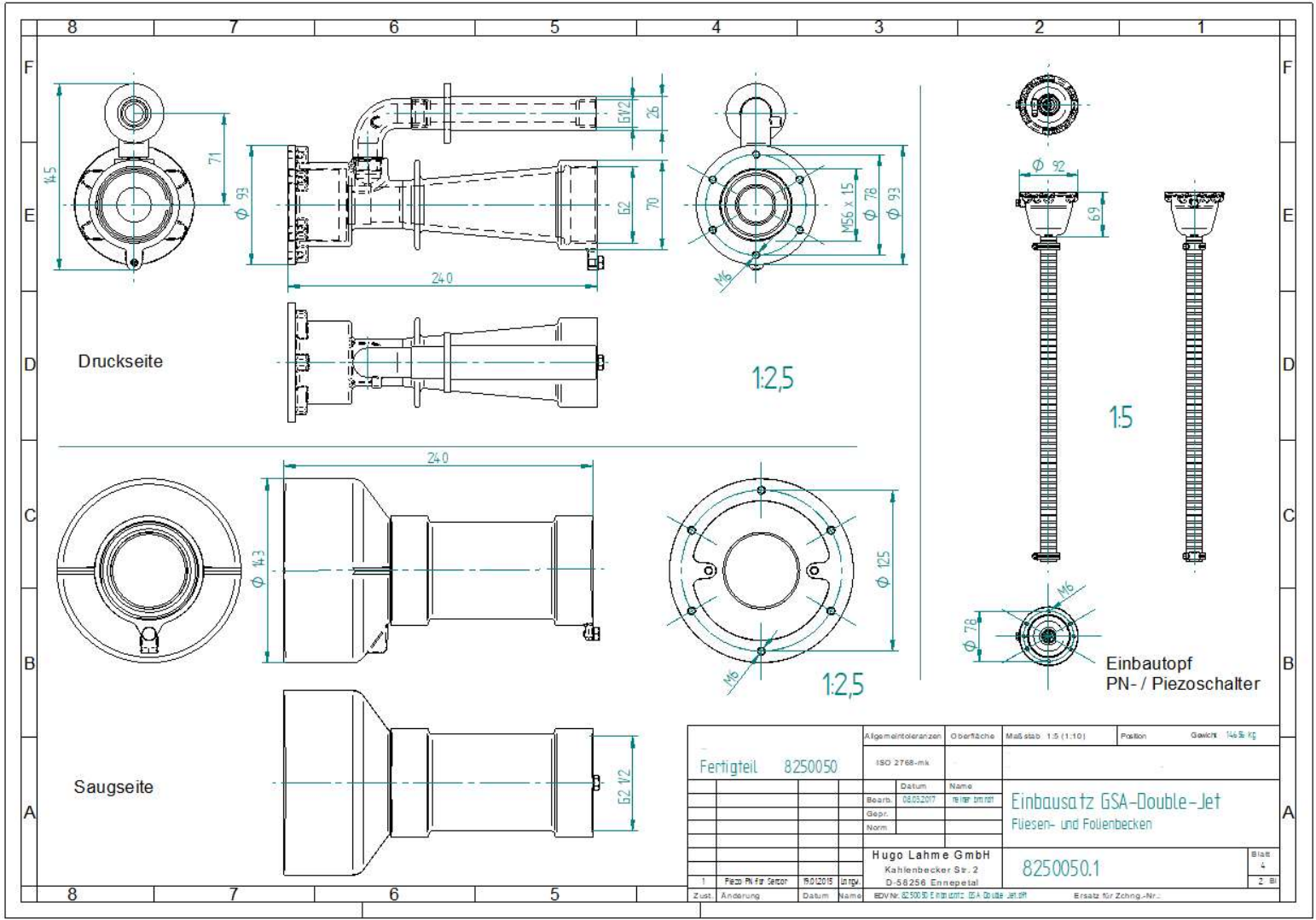


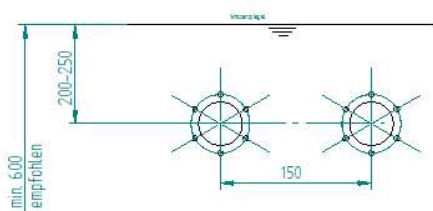
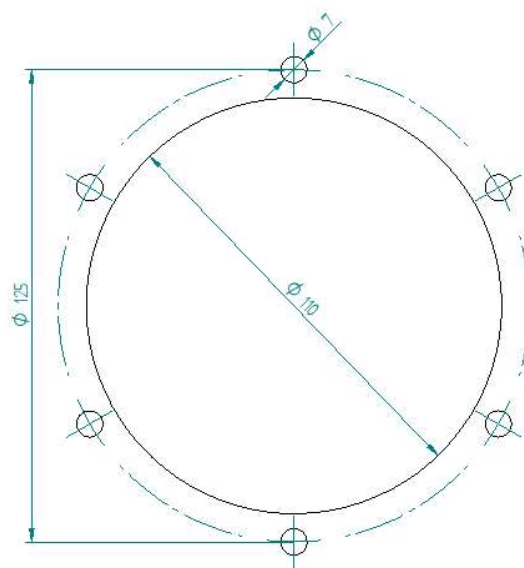
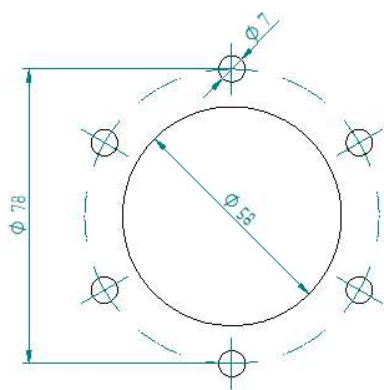
| | | | | | | | | | | | | | | | | | | | | | | | | | | | | | | | | | | | | | | | | | | | | | | | | | | | | | | | | | | | | | | | | | | | | | | | | | | | | | | | | | | | | | | | | | | | | | | | | | | | | | | | | | | | | | | | | | | | | | | | | | | | | | | | | | | | | | | | | | | | | | | | | | | | | | | | | | | | | | | | | | | | | | |
|------|------|---|--|---------------|---|-------------|---|---|---|--|----|---|--------------------------------|--|--------|--|--|--|--|--|--|----|---|------------------------------|--|--------|--|--|--|--|--|--|----|----|-------------------|-------------------|--------|--|--|--|--|--|--|----|----|------------------------------|--|--------|--|--|--|--|--|--|---|---|-----------------------|-------------------------|--------|--|--|--|--|--|--|---|---|-------------------------|--|--------|--|--|--|--|--|--|---|---|------------------------------------|----------------------|--------|--|--|--|--|--|--|---|---|-----------------------|--|--------|--|--|--|--|--|--|---|---|---------------------------------|------------------|--------|--|--|--|--|--|--|---|---|----------------------|-----------------|--------|--|--|--|--|--|--|---|---|------------|----------------------|--------------|--|--|--|--|--|--|---|---|-----------------------|-----------|--------------|--|--|--|--|--|--|---|---|-----------------------|------------------|--------------|--|--|--|--|--|--|------|------|-------------|--|---------------|--|-------------|--|--|--|--|---|
| | | 8 | 7 | 6 | 5 | 4 | 3 | 2 | 1 | | | | | | | | | | | | | | | | | | | | | | | | | | | | | | | | | | | | | | | | | | | | | | | | | | | | | | | | | | | | | | | | | | | | | | | | | | | | | | | | | | | | | | | | | | | | | | | | | | | | | | | | | | | | | | | | | | | | | | | | | | | | | | | | | | | | | | | | | | | | | | | | | | | | | | | | | | | | |
| F | | | | | | | | | | | F | | | | | | | | | | | | | | | | | | | | | | | | | | | | | | | | | | | | | | | | | | | | | | | | | | | | | | | | | | | | | | | | | | | | | | | | | | | | | | | | | | | | | | | | | | | | | | | | | | | | | | | | | | | | | | | | | | | | | | | | | | | | | | | | | | | | | | | | | | | | | | | | | | | | | | | | | | |
| E | | | | | | | | | | | E | | | | | | | | | | | | | | | | | | | | | | | | | | | | | | | | | | | | | | | | | | | | | | | | | | | | | | | | | | | | | | | | | | | | | | | | | | | | | | | | | | | | | | | | | | | | | | | | | | | | | | | | | | | | | | | | | | | | | | | | | | | | | | | | | | | | | | | | | | | | | | | | | | | | | | | | | | |
| D | | | | | | | | | | | D | | | | | | | | | | | | | | | | | | | | | | | | | | | | | | | | | | | | | | | | | | | | | | | | | | | | | | | | | | | | | | | | | | | | | | | | | | | | | | | | | | | | | | | | | | | | | | | | | | | | | | | | | | | | | | | | | | | | | | | | | | | | | | | | | | | | | | | | | | | | | | | | | | | | | | | | | | |
| C | | | | | | | | | | | C | | | | | | | | | | | | | | | | | | | | | | | | | | | | | | | | | | | | | | | | | | | | | | | | | | | | | | | | | | | | | | | | | | | | | | | | | | | | | | | | | | | | | | | | | | | | | | | | | | | | | | | | | | | | | | | | | | | | | | | | | | | | | | | | | | | | | | | | | | | | | | | | | | | | | | | | | | |
| B | | | | | | | | | | | B | | | | | | | | | | | | | | | | | | | | | | | | | | | | | | | | | | | | | | | | | | | | | | | | | | | | | | | | | | | | | | | | | | | | | | | | | | | | | | | | | | | | | | | | | | | | | | | | | | | | | | | | | | | | | | | | | | | | | | | | | | | | | | | | | | | | | | | | | | | | | | | | | | | | | | | | | | |
| A | | <table border="1"> <tr> <td>13</td> <td>4</td> <td>Sechskantschraube DIN 933 M6x8</td> <td></td> <td>505004</td> <td></td> <td></td> <td></td> <td></td> <td></td> <td></td> </tr> <tr> <td>12</td> <td>2</td> <td>Facherscheibe DIN 6798-A_6,4</td> <td></td> <td>506400</td> <td></td> <td></td> <td></td> <td></td> <td></td> <td></td> </tr> <tr> <td>11</td> <td>10</td> <td>Sechskantschraube</td> <td>DIN 933-M6x35-V4A</td> <td>505003</td> <td></td> <td></td> <td></td> <td></td> <td></td> <td></td> </tr> <tr> <td>10</td> <td>10</td> <td>Unterlegscheibe DIN 9021_6,4</td> <td></td> <td>506200</td> <td></td> <td></td> <td></td> <td></td> <td></td> <td></td> </tr> <tr> <td>9</td> <td>2</td> <td>Befonenschutz ø140 mm</td> <td>für 866 mit 2 Bohrungen</td> <td>512110</td> <td></td> <td></td> <td></td> <td></td> <td></td> <td></td> </tr> <tr> <td>8</td> <td>2</td> <td>Schelle SGL 20-32/9 SKZ</td> <td></td> <td>500502</td> <td></td> <td></td> <td></td> <td></td> <td></td> <td></td> </tr> <tr> <td>7</td> <td>1</td> <td>Mutter f. Quetschverschraubung Pg9</td> <td>für Art.-Nr. 7303650</td> <td>501951</td> <td></td> <td></td> <td></td> <td></td> <td></td> <td></td> </tr> <tr> <td>6</td> <td>1</td> <td>Dichteinsatz E 150 e8</td> <td>Pg9, U 49.2, UNI Silicon Einsatz, Kabel ø8 - 5</td> <td>575364</td> <td></td> <td></td> <td></td> <td></td> <td></td> <td></td> </tr> <tr> <td>5</td> <td>1</td> <td>Schlauchfülle mit Unterteil Pg9</td> <td>NW 19 / 6% / Pg9</td> <td>577213</td> <td></td> <td></td> <td></td> <td></td> <td></td> <td></td> </tr> <tr> <td>4</td> <td>1</td> <td>Schlauch NW19, 500mm</td> <td>Saug- und Druck</td> <td>510580</td> <td></td> <td></td> <td></td> <td></td> <td></td> <td></td> </tr> <tr> <td>3</td> <td>1</td> <td>Einbautopf</td> <td>PN - Schaltereinsatz</td> <td>000018710050</td> <td></td> <td></td> <td></td> <td></td> <td></td> <td></td> </tr> <tr> <td>2</td> <td>2</td> <td>Wandeinbaugehäuse G2%</td> <td>Saugseite</td> <td>000018641050</td> <td></td> <td></td> <td></td> <td></td> <td></td> <td></td> </tr> <tr> <td>1</td> <td>2</td> <td>Einbauteil Druckseite</td> <td>GSA_Fliese_Folie</td> <td>017690450101</td> <td></td> <td></td> <td></td> <td></td> <td></td> <td></td> </tr> <tr> <td>Pos.</td> <td>Anz.</td> <td colspan="2">Bezeichnung</td> <td colspan="2">Bezeichnung 2</td> <td colspan="2">Artikel Nr.</td> <td colspan="3"></td> </tr> </table> | | | | | | | | | 13 | 4 | Sechskantschraube DIN 933 M6x8 | | 505004 | | | | | | | 12 | 2 | Facherscheibe DIN 6798-A_6,4 | | 506400 | | | | | | | 11 | 10 | Sechskantschraube | DIN 933-M6x35-V4A | 505003 | | | | | | | 10 | 10 | Unterlegscheibe DIN 9021_6,4 | | 506200 | | | | | | | 9 | 2 | Befonenschutz ø140 mm | für 866 mit 2 Bohrungen | 512110 | | | | | | | 8 | 2 | Schelle SGL 20-32/9 SKZ | | 500502 | | | | | | | 7 | 1 | Mutter f. Quetschverschraubung Pg9 | für Art.-Nr. 7303650 | 501951 | | | | | | | 6 | 1 | Dichteinsatz E 150 e8 | Pg9, U 49.2, UNI Silicon Einsatz, Kabel ø8 - 5 | 575364 | | | | | | | 5 | 1 | Schlauchfülle mit Unterteil Pg9 | NW 19 / 6% / Pg9 | 577213 | | | | | | | 4 | 1 | Schlauch NW19, 500mm | Saug- und Druck | 510580 | | | | | | | 3 | 1 | Einbautopf | PN - Schaltereinsatz | 000018710050 | | | | | | | 2 | 2 | Wandeinbaugehäuse G2% | Saugseite | 000018641050 | | | | | | | 1 | 2 | Einbauteil Druckseite | GSA_Fliese_Folie | 017690450101 | | | | | | | Pos. | Anz. | Bezeichnung | | Bezeichnung 2 | | Artikel Nr. | | | | | A |
| 13 | 4 | Sechskantschraube DIN 933 M6x8 | | 505004 | | | | | | | | | | | | | | | | | | | | | | | | | | | | | | | | | | | | | | | | | | | | | | | | | | | | | | | | | | | | | | | | | | | | | | | | | | | | | | | | | | | | | | | | | | | | | | | | | | | | | | | | | | | | | | | | | | | | | | | | | | | | | | | | | | | | | | | | | | | | | | | | | | | | | | | | | | | | | | | | | |
| 12 | 2 | Facherscheibe DIN 6798-A_6,4 | | 506400 | | | | | | | | | | | | | | | | | | | | | | | | | | | | | | | | | | | | | | | | | | | | | | | | | | | | | | | | | | | | | | | | | | | | | | | | | | | | | | | | | | | | | | | | | | | | | | | | | | | | | | | | | | | | | | | | | | | | | | | | | | | | | | | | | | | | | | | | | | | | | | | | | | | | | | | | | | | | | | | | | |
| 11 | 10 | Sechskantschraube | DIN 933-M6x35-V4A | 505003 | | | | | | | | | | | | | | | | | | | | | | | | | | | | | | | | | | | | | | | | | | | | | | | | | | | | | | | | | | | | | | | | | | | | | | | | | | | | | | | | | | | | | | | | | | | | | | | | | | | | | | | | | | | | | | | | | | | | | | | | | | | | | | | | | | | | | | | | | | | | | | | | | | | | | | | | | | | | | | | | | |
| 10 | 10 | Unterlegscheibe DIN 9021_6,4 | | 506200 | | | | | | | | | | | | | | | | | | | | | | | | | | | | | | | | | | | | | | | | | | | | | | | | | | | | | | | | | | | | | | | | | | | | | | | | | | | | | | | | | | | | | | | | | | | | | | | | | | | | | | | | | | | | | | | | | | | | | | | | | | | | | | | | | | | | | | | | | | | | | | | | | | | | | | | | | | | | | | | | | |
| 9 | 2 | Befonenschutz ø140 mm | für 866 mit 2 Bohrungen | 512110 | | | | | | | | | | | | | | | | | | | | | | | | | | | | | | | | | | | | | | | | | | | | | | | | | | | | | | | | | | | | | | | | | | | | | | | | | | | | | | | | | | | | | | | | | | | | | | | | | | | | | | | | | | | | | | | | | | | | | | | | | | | | | | | | | | | | | | | | | | | | | | | | | | | | | | | | | | | | | | | | | |
| 8 | 2 | Schelle SGL 20-32/9 SKZ | | 500502 | | | | | | | | | | | | | | | | | | | | | | | | | | | | | | | | | | | | | | | | | | | | | | | | | | | | | | | | | | | | | | | | | | | | | | | | | | | | | | | | | | | | | | | | | | | | | | | | | | | | | | | | | | | | | | | | | | | | | | | | | | | | | | | | | | | | | | | | | | | | | | | | | | | | | | | | | | | | | | | | | |
| 7 | 1 | Mutter f. Quetschverschraubung Pg9 | für Art.-Nr. 7303650 | 501951 | | | | | | | | | | | | | | | | | | | | | | | | | | | | | | | | | | | | | | | | | | | | | | | | | | | | | | | | | | | | | | | | | | | | | | | | | | | | | | | | | | | | | | | | | | | | | | | | | | | | | | | | | | | | | | | | | | | | | | | | | | | | | | | | | | | | | | | | | | | | | | | | | | | | | | | | | | | | | | | | | |
| 6 | 1 | Dichteinsatz E 150 e8 | Pg9, U 49.2, UNI Silicon Einsatz, Kabel ø8 - 5 | 575364 | | | | | | | | | | | | | | | | | | | | | | | | | | | | | | | | | | | | | | | | | | | | | | | | | | | | | | | | | | | | | | | | | | | | | | | | | | | | | | | | | | | | | | | | | | | | | | | | | | | | | | | | | | | | | | | | | | | | | | | | | | | | | | | | | | | | | | | | | | | | | | | | | | | | | | | | | | | | | | | | | |
| 5 | 1 | Schlauchfülle mit Unterteil Pg9 | NW 19 / 6% / Pg9 | 577213 | | | | | | | | | | | | | | | | | | | | | | | | | | | | | | | | | | | | | | | | | | | | | | | | | | | | | | | | | | | | | | | | | | | | | | | | | | | | | | | | | | | | | | | | | | | | | | | | | | | | | | | | | | | | | | | | | | | | | | | | | | | | | | | | | | | | | | | | | | | | | | | | | | | | | | | | | | | | | | | | | |
| 4 | 1 | Schlauch NW19, 500mm | Saug- und Druck | 510580 | | | | | | | | | | | | | | | | | | | | | | | | | | | | | | | | | | | | | | | | | | | | | | | | | | | | | | | | | | | | | | | | | | | | | | | | | | | | | | | | | | | | | | | | | | | | | | | | | | | | | | | | | | | | | | | | | | | | | | | | | | | | | | | | | | | | | | | | | | | | | | | | | | | | | | | | | | | | | | | | | |
| 3 | 1 | Einbautopf | PN - Schaltereinsatz | 000018710050 | | | | | | | | | | | | | | | | | | | | | | | | | | | | | | | | | | | | | | | | | | | | | | | | | | | | | | | | | | | | | | | | | | | | | | | | | | | | | | | | | | | | | | | | | | | | | | | | | | | | | | | | | | | | | | | | | | | | | | | | | | | | | | | | | | | | | | | | | | | | | | | | | | | | | | | | | | | | | | | | | |
| 2 | 2 | Wandeinbaugehäuse G2% | Saugseite | 000018641050 | | | | | | | | | | | | | | | | | | | | | | | | | | | | | | | | | | | | | | | | | | | | | | | | | | | | | | | | | | | | | | | | | | | | | | | | | | | | | | | | | | | | | | | | | | | | | | | | | | | | | | | | | | | | | | | | | | | | | | | | | | | | | | | | | | | | | | | | | | | | | | | | | | | | | | | | | | | | | | | | | |
| 1 | 2 | Einbauteil Druckseite | GSA_Fliese_Folie | 017690450101 | | | | | | | | | | | | | | | | | | | | | | | | | | | | | | | | | | | | | | | | | | | | | | | | | | | | | | | | | | | | | | | | | | | | | | | | | | | | | | | | | | | | | | | | | | | | | | | | | | | | | | | | | | | | | | | | | | | | | | | | | | | | | | | | | | | | | | | | | | | | | | | | | | | | | | | | | | | | | | | | | |
| Pos. | Anz. | Bezeichnung | | Bezeichnung 2 | | Artikel Nr. | | | | | | | | | | | | | | | | | | | | | | | | | | | | | | | | | | | | | | | | | | | | | | | | | | | | | | | | | | | | | | | | | | | | | | | | | | | | | | | | | | | | | | | | | | | | | | | | | | | | | | | | | | | | | | | | | | | | | | | | | | | | | | | | | | | | | | | | | | | | | | | | | | | | | | | | | | | | | | | |
| 8 | 7 | 6 | 5 | 4 | 3 | 2 | 1 | | | | | | | | | | | | | | | | | | | | | | | | | | | | | | | | | | | | | | | | | | | | | | | | | | | | | | | | | | | | | | | | | | | | | | | | | | | | | | | | | | | | | | | | | | | | | | | | | | | | | | | | | | | | | | | | | | | | | | | | | | | | | | | | | | | | | | | | | | | | | | | | | | | | | | | | | | | | | | |

| | | | | | | | | |
|----------------------|---------------------|------------|-------|---|------------|--------------------|--|-----------------|
| - Fertigteil 8250050 | | | | Allgemeintoleranzen | Oberfläche | Maßstab 1:5 (1:10) | Position | Gewicht %/56 kg |
| | | | | ISO 2768-mk | - | - | | |
| | | | | Bearb. | 08.03.2017 | reiner brandt | Einbausatz GSA-Double-Jet Fliesen- und Folienbecken | |
| | | | | Gepr. | | | | |
| | | | | Norm | | | | |
| | | | | Hugo Lahme GmbH Kahlenbecker Str. 2 D-58256 Ennepetal | | | | Blatt 4 |
| 1 | Piezo-PN für Sensor | 19.01.2015 | Länge | EDV-Nr. 8250050 Einbausatz_GSA-Double-Jet.rvt | | | | 1 Bl |
| Zust. | Anderung | Datum | Name | Ersatz für Zeichn.-Nr.: | | | | |



| | | | | | | |
|-----------------------|--|---|-----------------|--|-----------|---------------|
| Fertigteil 8250050 | | ISO 2768-mk | Oberfläche | Maßstab 1:5 (1:1.10) | Position | Gewicht 146 g |
| | | Datum | Name | Einbausatz GSA-Double-Jet Fliesen- und Folienbecken | | |
| | | Bearb. 08.03.2017 | Erstg. 01.01.17 | | | |
| | | Gepr. | Norm | | | |
| | | Hugo Lahme GmbH Kahlenbecker Str. 2 D-58256 Ennepetal | | | 8250050.1 | |
| 1 Fließ PN für Setzer | | 09.12.15 | lsg/vp | 8250050.1 | | Blatt 4 |
| Zust. Änderung | | Datum | Name | RDV Nr. 8250050.1 Fließ PN für GSA Double-Jet | | 2 Bl. |

Ersatz für Zeichnung-Nr. ...



| | | | | | | |
|--------------------|--------------------|---------------------|------------|--|-----------|---------------|
| Fertigteil 8250050 | | Allgemeintoleranzen | Oberfläche | Maßstab 1:5 (1:10) | Position | Gewicht 146 g |
| | | ISO 2768-mk | | | | |
| | | Datum | Name | Einbausatz GSA-Double-Jet Fliesen- und Folienbecken | | |
| | | Bearb. 08.03.2017 | Wolfrum | | | |
| | | Gepr. | | | | |
| | | Norm | | | | |
| | | Hugo Lahme GmbH | | | 8250050.1 | |
| | | Kahlenbecker Str. 2 | | | Blatt 4 | |
| | | D-58256 Ennepetal | | | 3 Bl. | |
| 1 | FezB PN für Setzer | 09.12.015 | lsg/vj | Ersatz für Zeich.-Nr. ... | | |
| Zust. | Änderung | Datum | Name | RDV Nr. 8250050 für Einbausetz GSA Double-Jet | | |

