

Blue lagoon


UV-C and Pool equipment

www.bluelagoonuv.com

AOP COMPACT OZONE & UV-C 75W 2.0



VGE
PARTNER IN UV-C SOLUTIONS

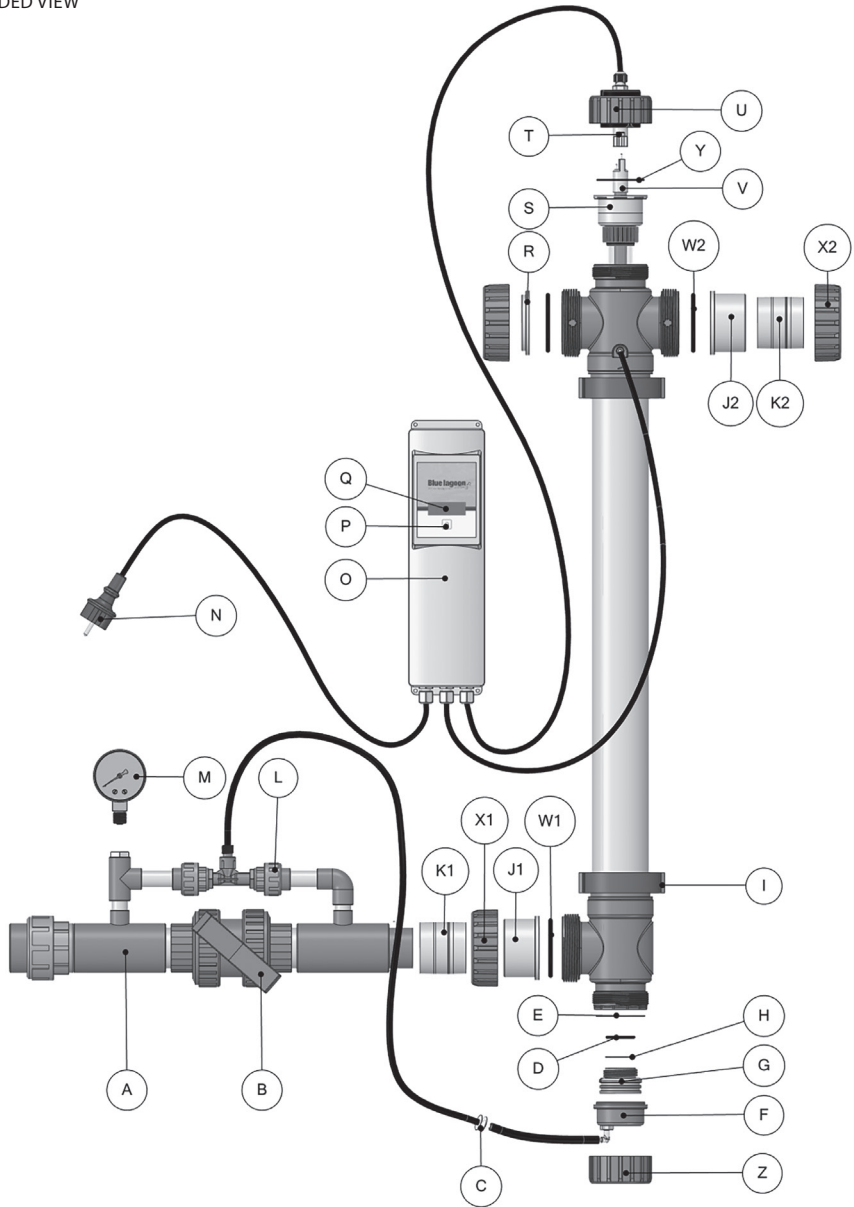
MEMBER OF:  Sinvest Group BV

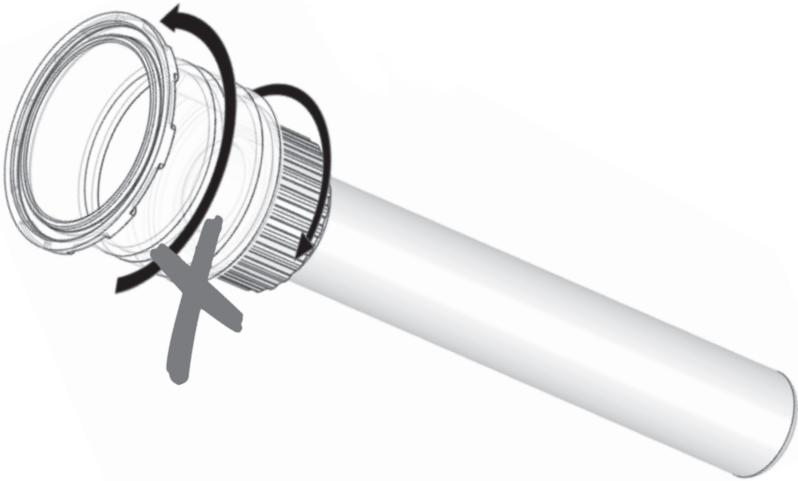


MANUAL BLUE LAGOON AOP COMPACT OZONE & UV-C 75W 2.0

AOP Compact Ozone & UV-C 75W 2.0 EN	28 - 32
AOP Compact Ozone & UV-C 75W 2.0 DE	33 - 38
AOP Compact Ozone & UV-C 75W 2.0 FR	39 - 44
AOP Compact Ozone & UV-C 75W 2.0 NL	45 - 50
AOP Compact Ozone & UV-C 75W 2.0 ES	51 - 56
AOP Compact Ozone & UV-C 75W 2.0 PT	57 - 62
AOP Compact Ozone & UV-C 75W 2.0 RU	63 - 68

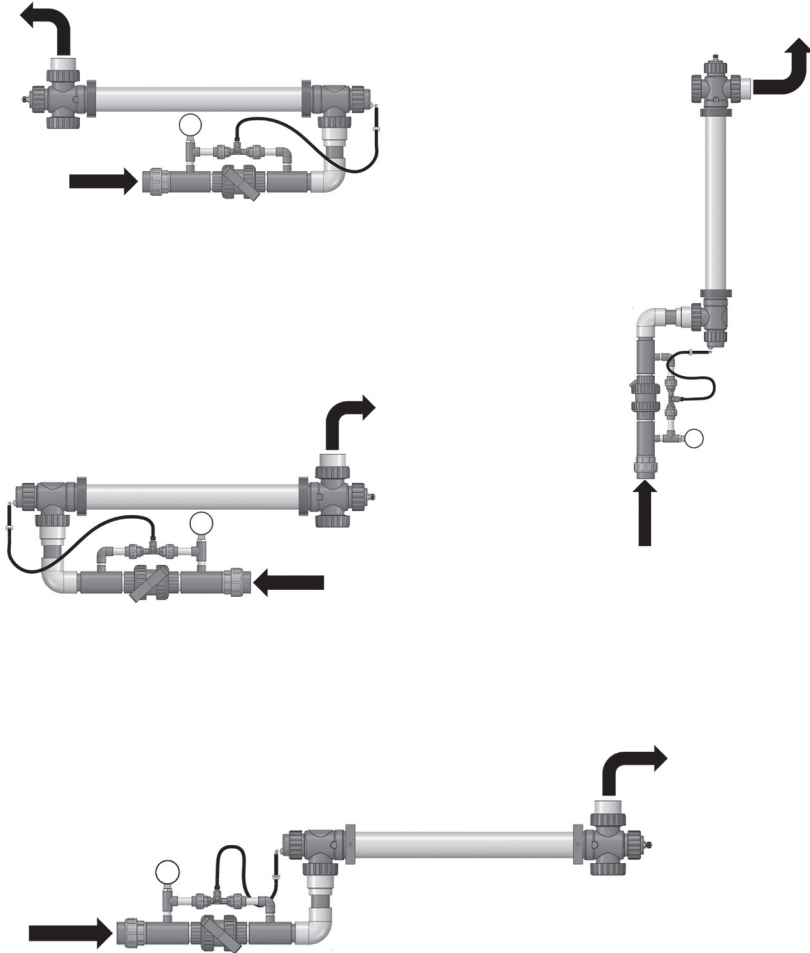
EXPLODED VIEW



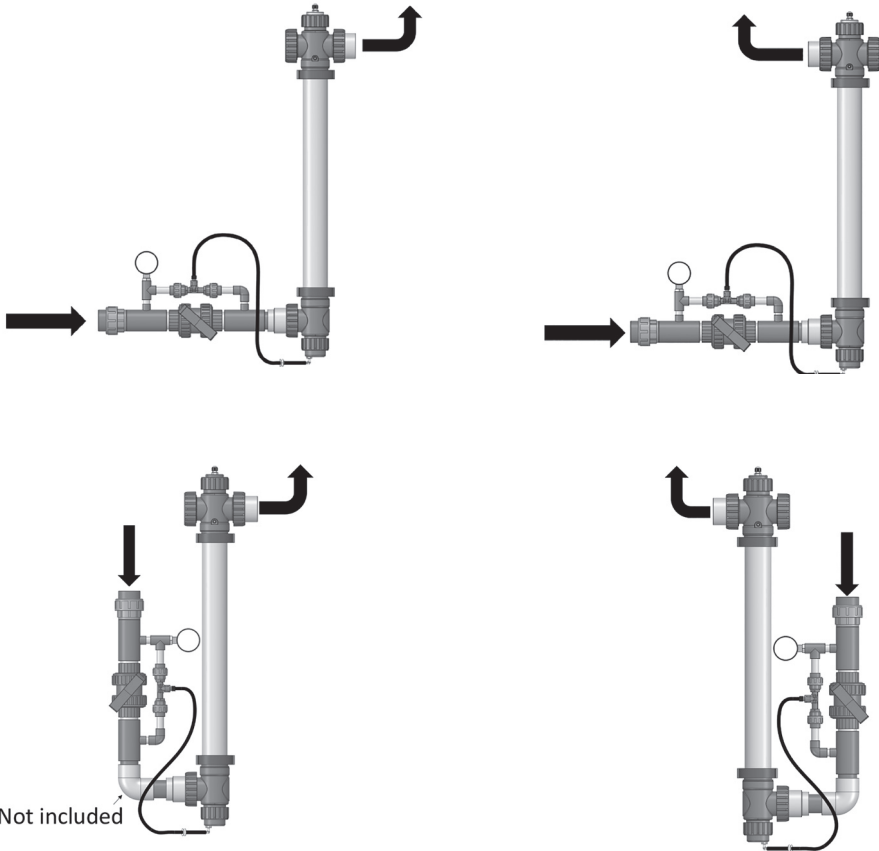


- EN: Do not disassemble!** The quartz glass connection cannot and may not be dismantled. Disassembly attempts can lead to leakage, glass breakage or personal injury. Damage to the UV-C device as a result of dismantling is not covered by the warranty.
- DE: Nicht zerlegen!** Die Quarzglasverbindung kann und darf nicht zerlegt werden. Demontageversuche können zu Undichtigkeiten, Glasbruch oder Verletzungen führen. Schäden am UV-C-Gerät durch Demontage fallen nicht unter die Garantie.
- FR: Ne démontez pas!** La connexion en verre de quartz ne peut pas et ne peut pas être démontée. Les tentatives de démontage peuvent entraîner des fuites, des bris de verre ou des blessures. Les dommages à l'appareil UV-C résultant du démontage ne sont pas couverts par la garantie.
- NL: Niet demontieren!** De kwartsglasverbinding kan en mag niet worden gedemonteerd. Demontagepogingen kunnen leiden tot lekkage, glasbreuk of persoonlijk letsel. Schade aan het UV-C apparaat als gevolg van demontage valt niet onder de garantie.
- ES: No desarme!** La conexión de vidrio de cuarzo no puede y no puede desmontarse. Los intentos de desmontaje pueden provocar fugas, rotura de cristales o lesiones personales. El daño al dispositivo UV-C como resultado del desmantelamiento no está cubierto por la garantía.
- PT: Não desmonte!** A conexão de vidro de quartzo não pode e não pode ser desmontada. Tentativas de desmontagem podem causar vazamento, quebra de vidro ou ferimentos pessoais. Danos ao dispositivo UV-C como resultado da desmontagem não são cobertos pela garantia.
- RU: Не разбирать!** Соединение из кварцевого стекла не может и не может быть демонтировано. Попытки разборки могут привести к утечке, поломке стекла или травме. Повреждение устройства UV-C в результате демонтажа не покрывается гарантией.

POSSIBLE INSTALLATION AND FLOW DIRECTION:

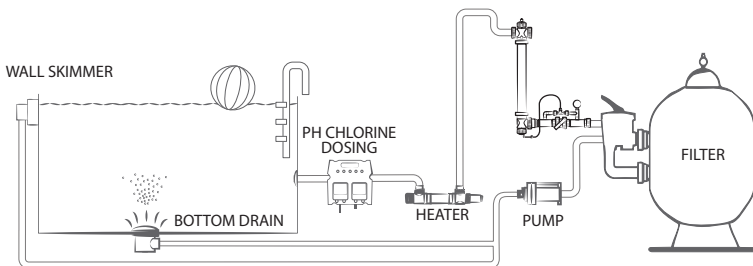


- EN: Make sure the flow always goes from bottom to top, to prevent air inclusion.
DU: Achten Sie darauf, dass die Strömung immer von unten nach oben verläuft, um Luft einschüsse zu vermeiden.
FR: Assurez-vous que le débit va toujours de bas en haut pour éviter la présence d'air.
NL: Zorg ervoor dat de flow altijd van beneden naar boven gaat. Om luchtinsluiting te voorkomen.
ES: Asegúrese de que el flujo siempre vaya de abajo a arriba para evitar entradas de aire.
PT: Certifique-se de que o fluxo vá sempre de baixo para cima para evitar a inclusão de ar.
RU: Убедитесь, что поток воды всегда идет снизу вверх, чтобы не образовалась воздушная пробка.
-

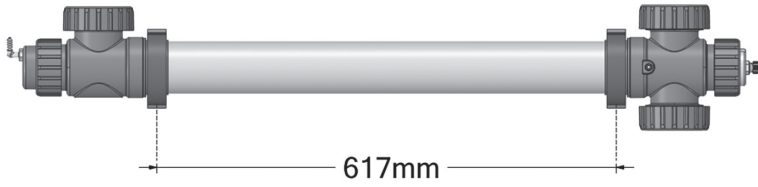


POSSIBLE INSTALLATION:

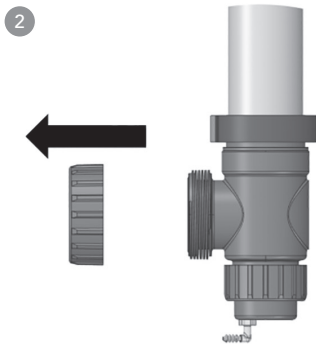
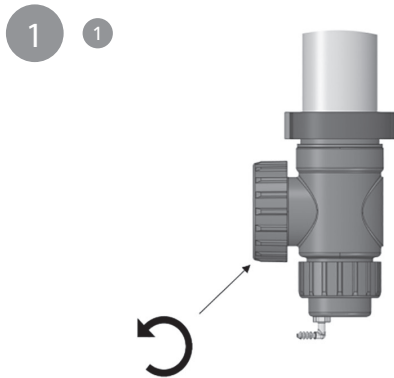
AOP Compact Ozone & UV-C 75W 2.0

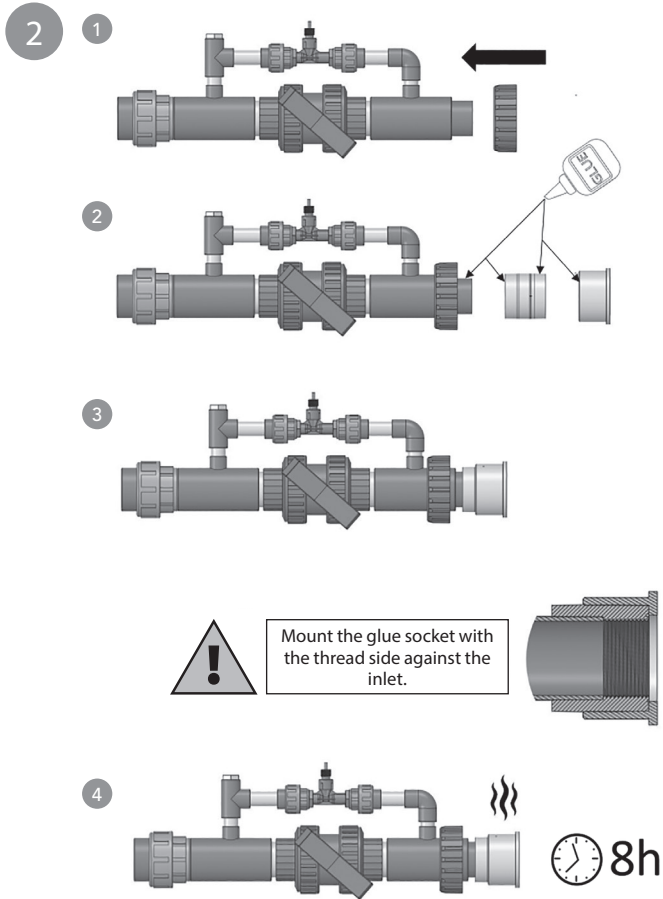


DIMENSION

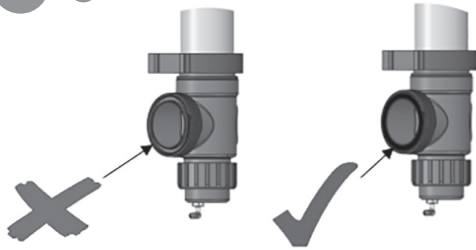


INSTALLING DEVICE

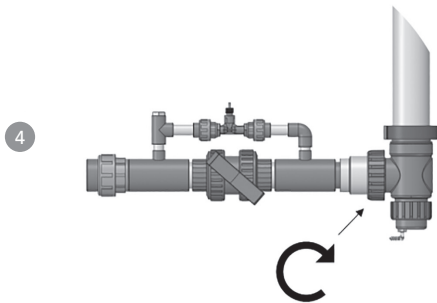
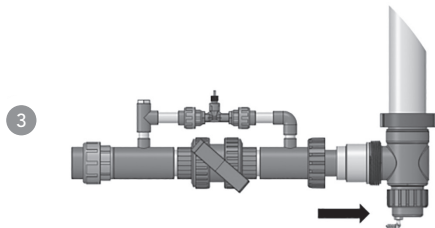
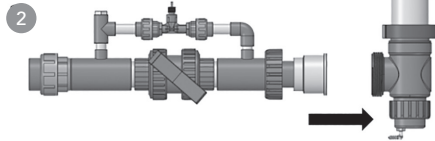


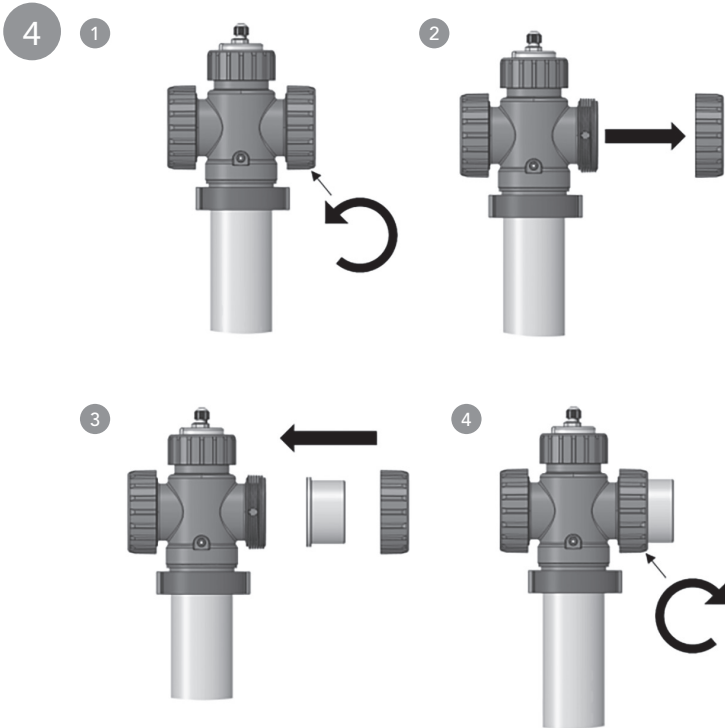


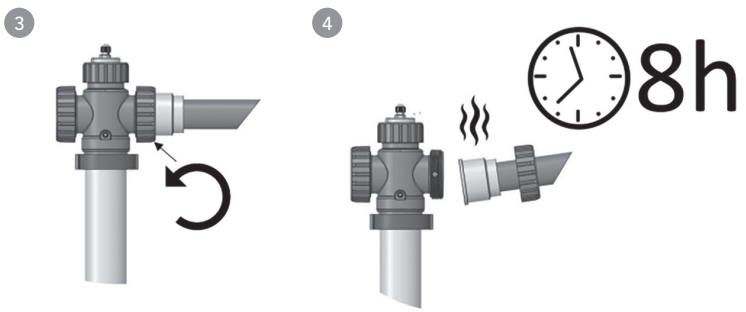
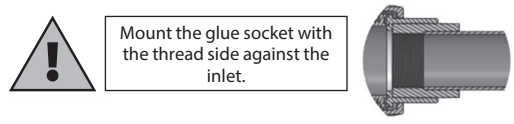
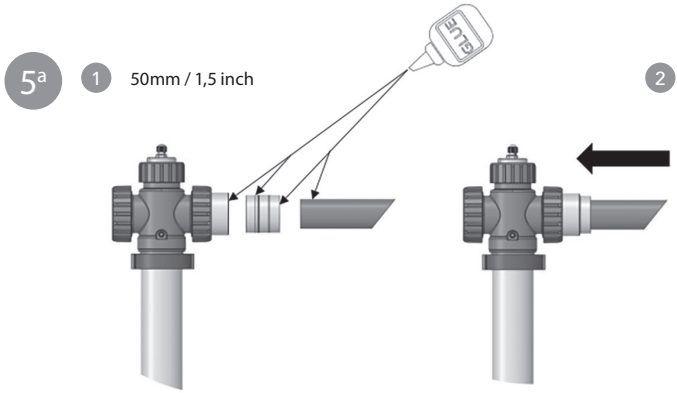
3 1

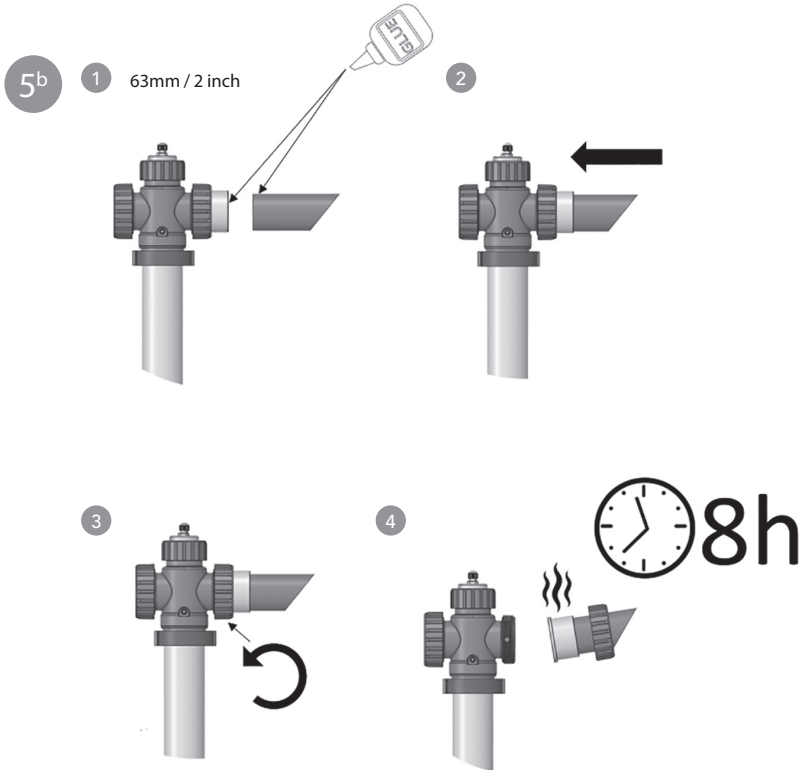


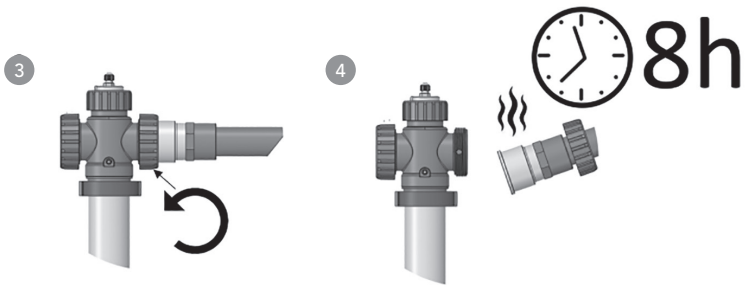
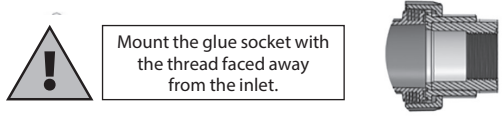
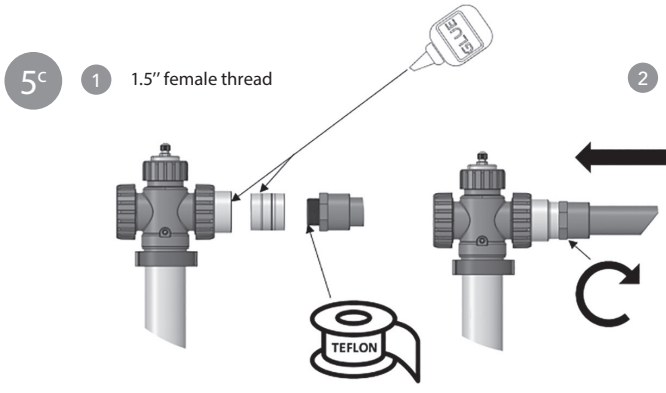
Make sure the O-ring is in the correct position.

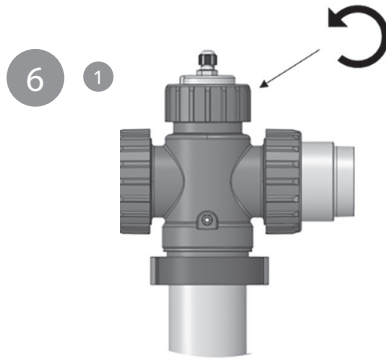




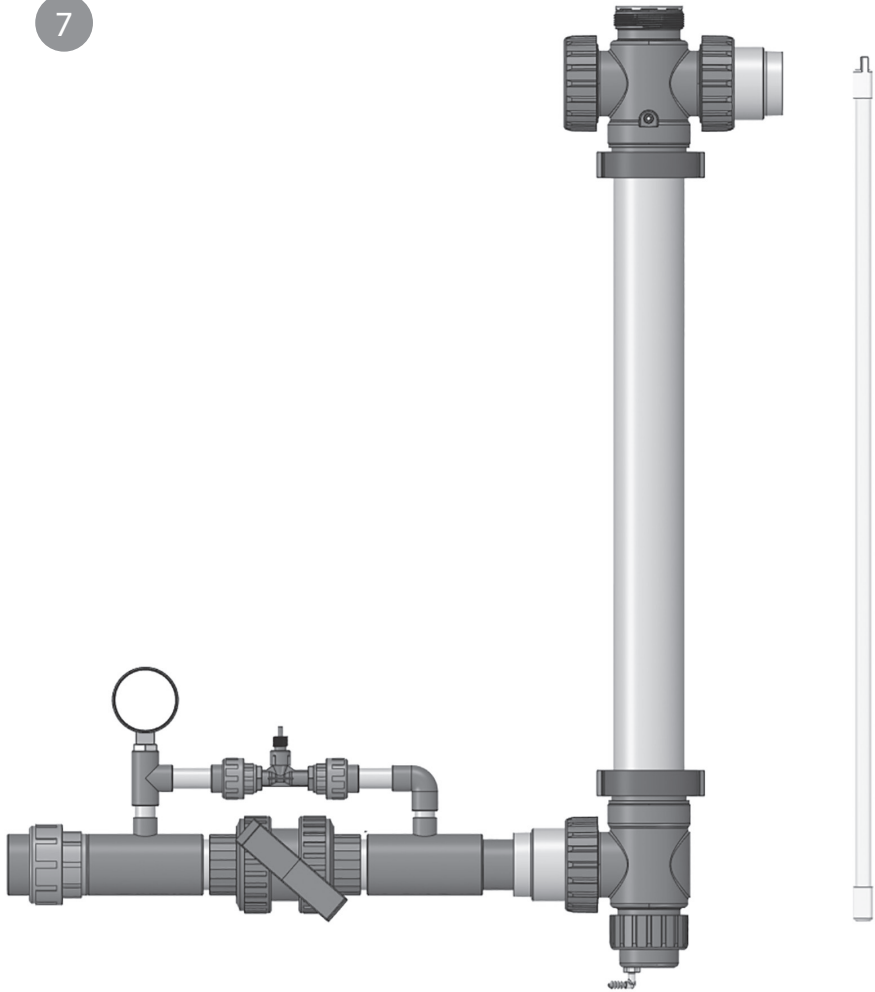


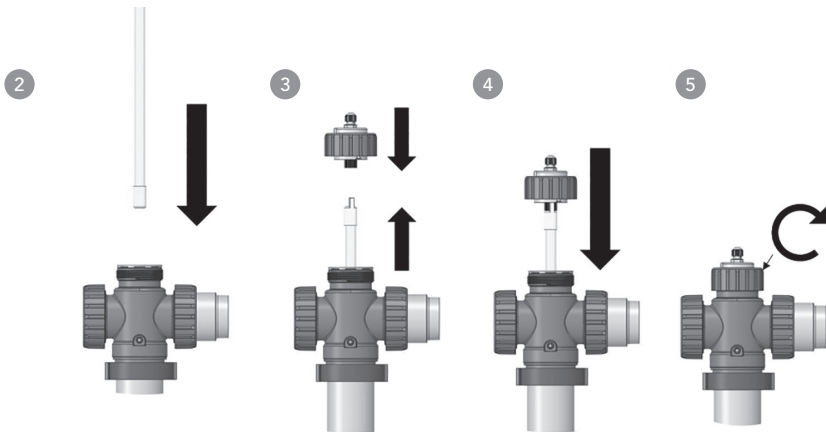
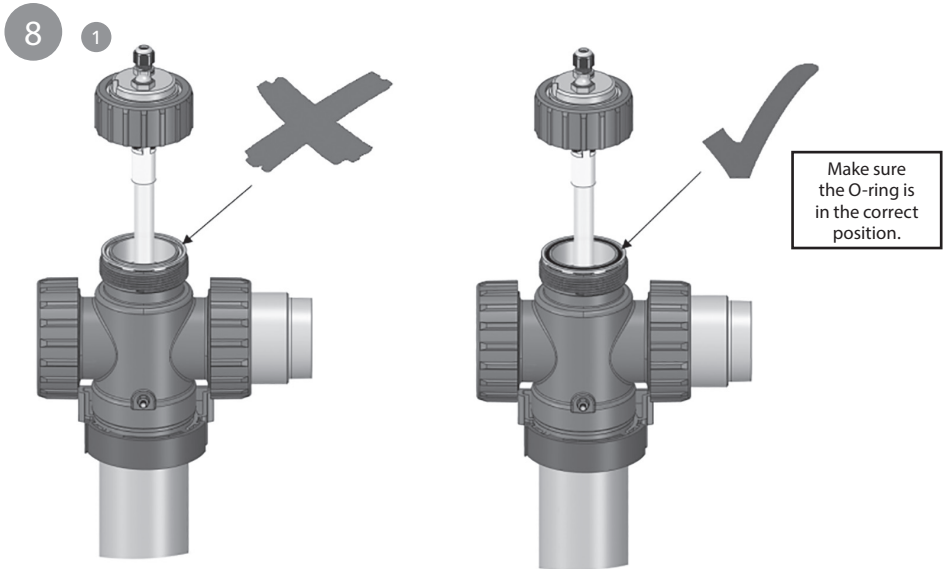


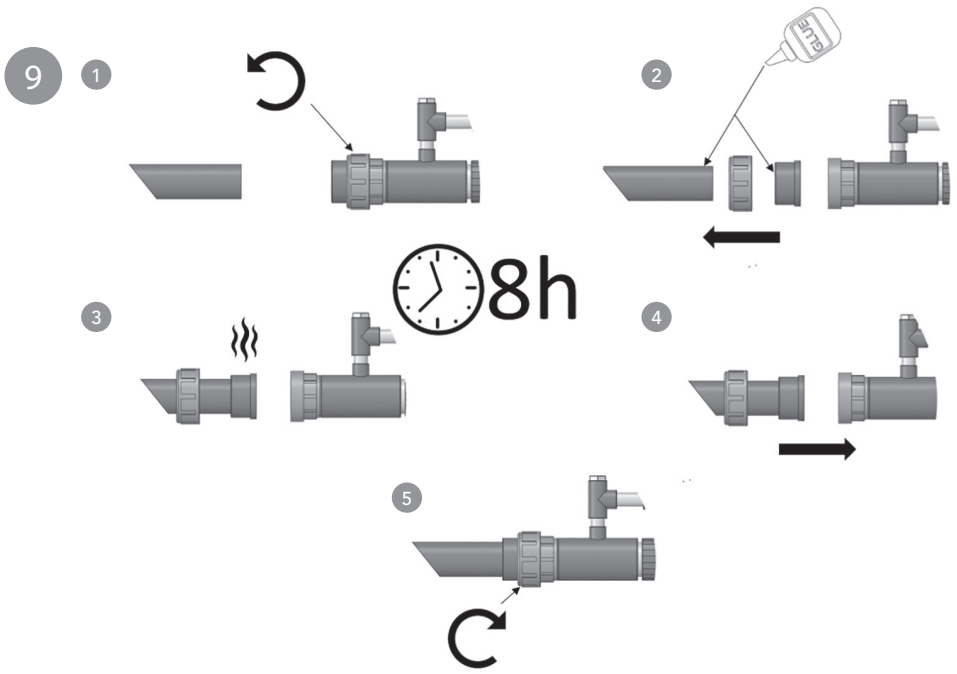


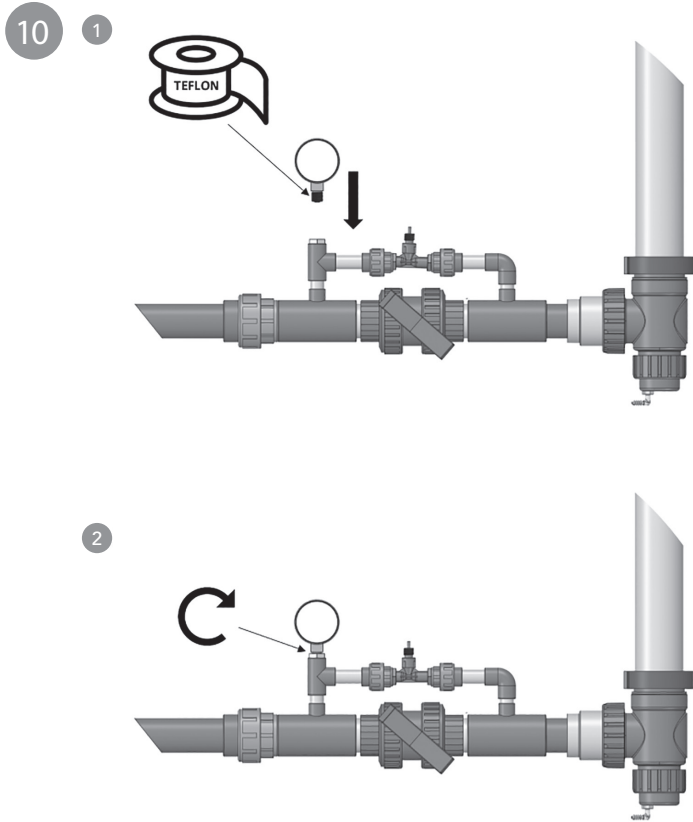


7

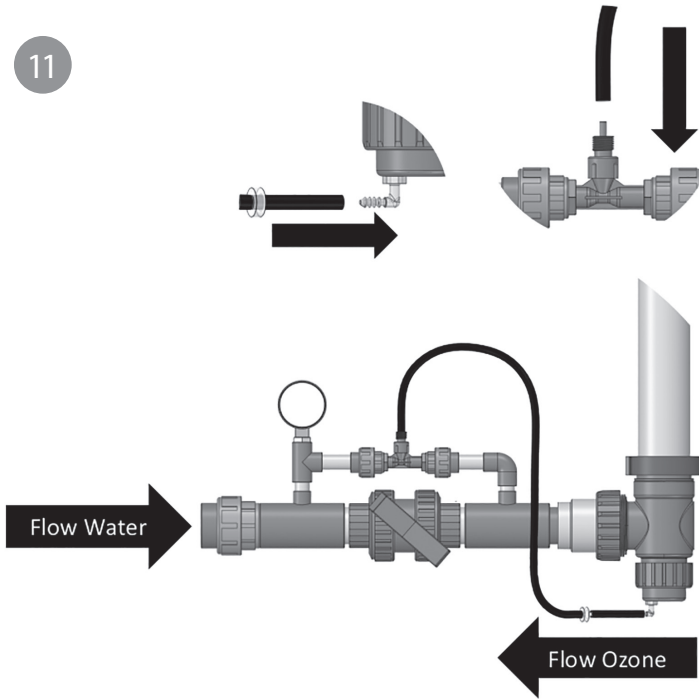






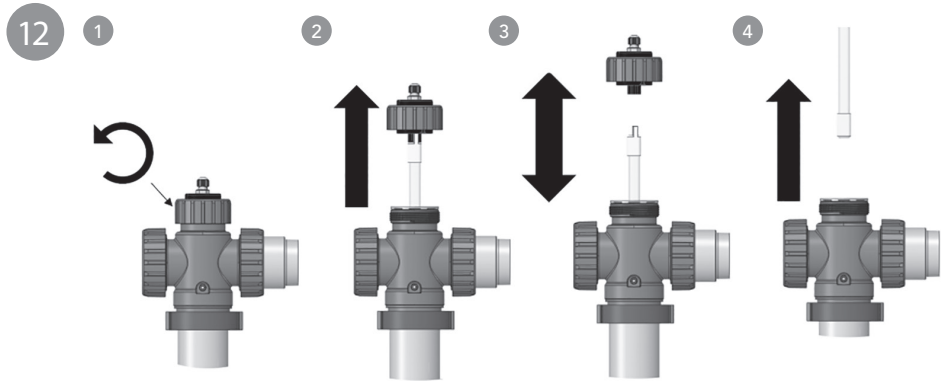


11

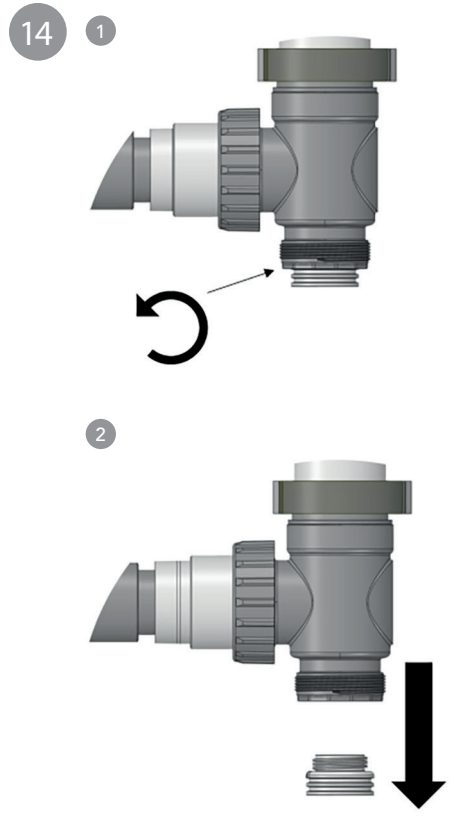
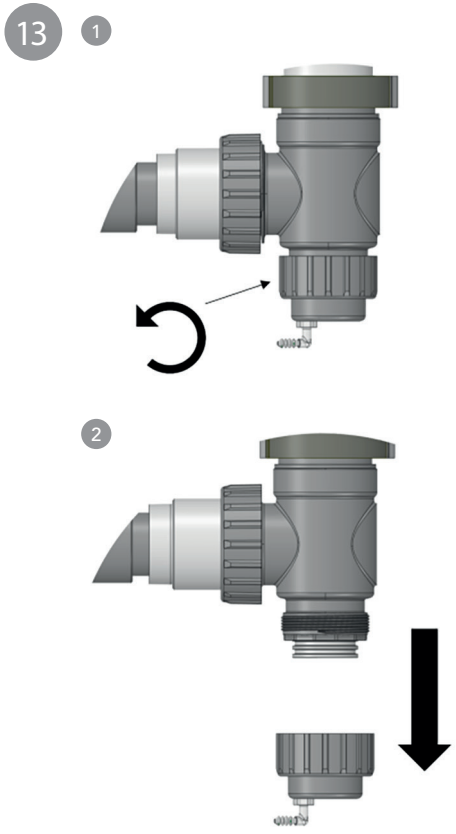


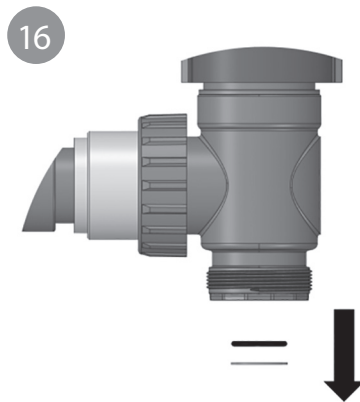
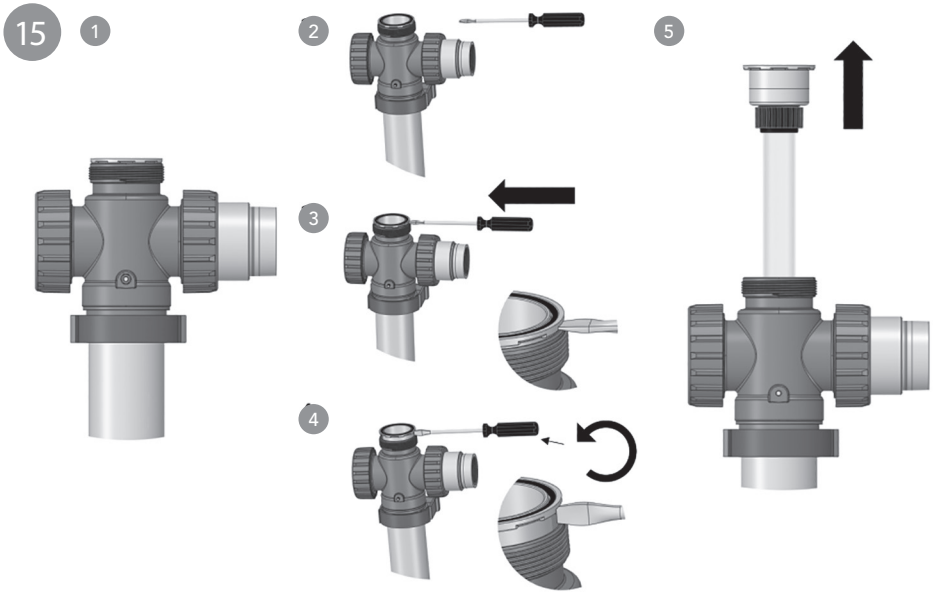
Note the correct flow direction of the ozone tube.

REPLACING LAMP AND/OR QUARTZ SLEEVE



Store the UV lamp in a safe environment.
Be sure not to damage the lamp
in any way. Always use gloves.



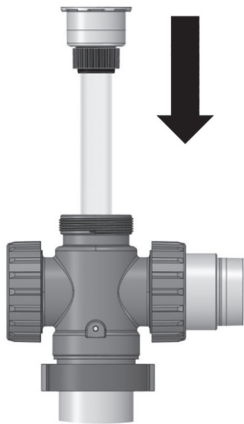


17

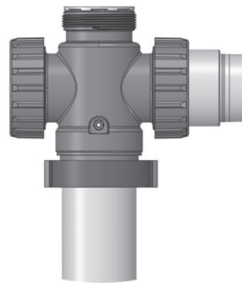


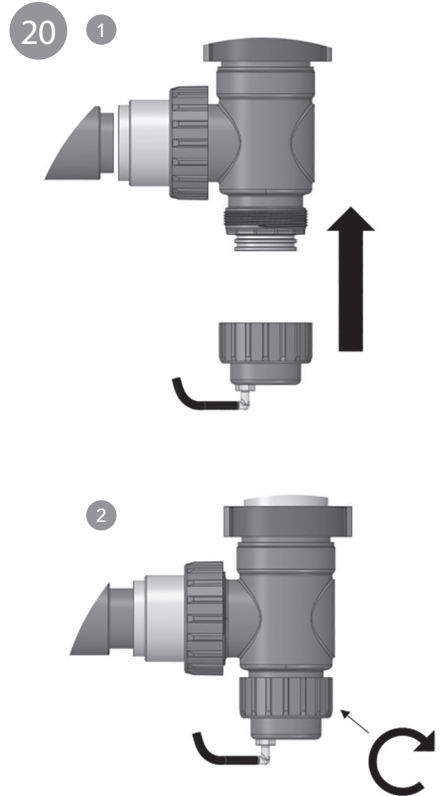
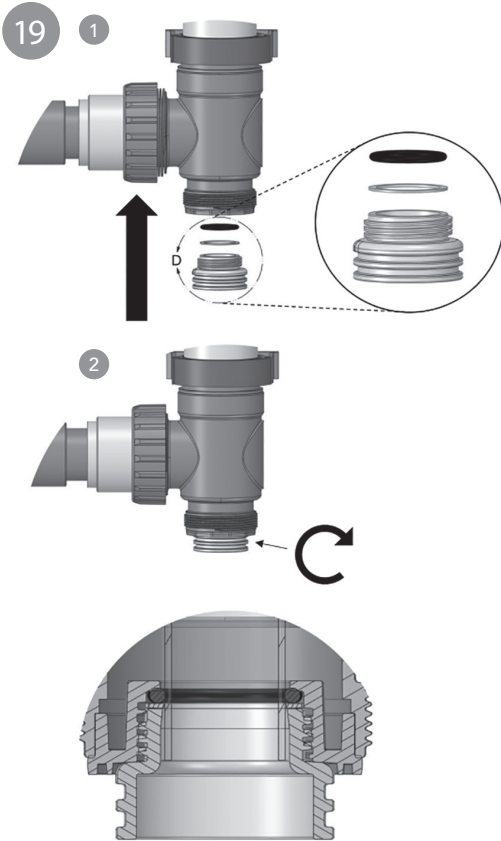
18

1



2

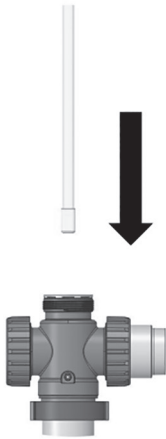




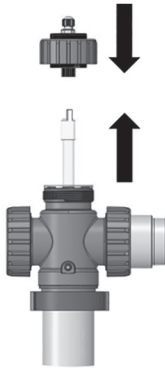
21



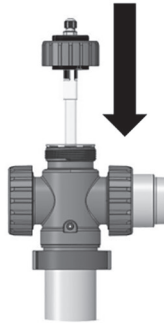
1



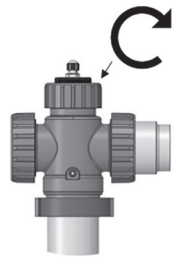
2



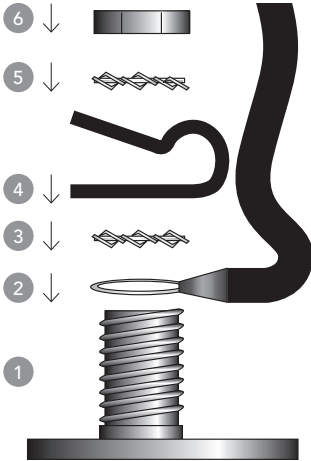
3



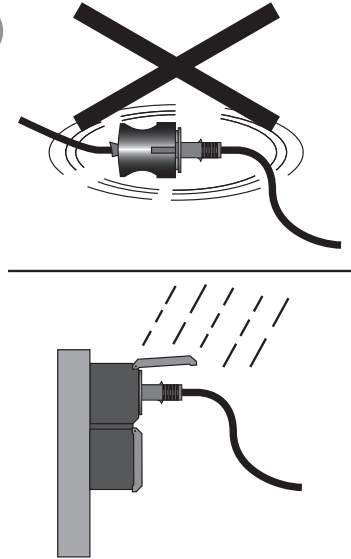
4



22



23





Important read this manual carefully before proceeding to installation and commissioning.

EN

HOW IT WORKS

Inside the reactor a UV-C lamp produces radiation with a wavelength of 253.7 nm. Radiation of this type kills bacteria, viruses, algae and fungi (e.g. Legionella and Cryptosporidium). The UV-C unit produces clean, fresh, clear water in an efficient, environmentally friendly way.







You connect the "AOP Compact Ozone & UV-C 75W 2.0" on to your swimming pool system. Using a pump, the water is pumped into the unit through the supplied reactor. Because of the water pressure in the reactor, air is sucked through the Venturi system. Air is sucked into the unit via the air valve and flows through the area between the quartz glass and the AOP Compact Ozone & UV-C lamp. The lamp has a double function, producing ozone and UV-C light at the same time. Because air enters the unit via the lamp, ozone is generated by the special AOP Compact Ozone & UV-C lamp, which produces 0.6 grams of ozone. After it has passed the ball valve, the ozone enriched air is then mixed with water in the system. The oxidation and sterilisation take place here, and a powerful disinfection process is achieved. The water-ozone mixture is then exposed to the UV-C radiation of the lamp. The UV-C breaks down the remaining ozone in the water, changing it into OH- (Hydroxyl radicals) which have a very high oxidation potential.




The lamp has a double function, producing ozone and UV-C light at the same time. The ozone particles in the water are completely broken down again by the UV-C device immediately after they have completed their function. This takes place because the ozone is mixed with water as it passes through the lamp for the second time.



CAUTION:

Carefully read these instructions before installing this device.

 <p>Always make sure to have a correct grounding. When in doubt about the grounding of the electrotechnical installation in general, always consult a licensed electrotechnical mechanic. Faulty grounding can be dangerous, and/or lead to corrosion of stainless steel or aluminium reactors.</p>	 <p>It's not permitted to flow a liquid through the reactor or to add additions to the water that has to be treated, which can have a negative effect on corrosion or degradation on the used materials. This to avoid dangerous situations or damage to the reactor and surrounding installations and/or to the flora and fauna.</p>
 <p>Radiation of this ultraviolet lamp is dangerous for eyes and skin.</p>	 <p>Always free the device of tension first during maintenance! Risk of an electric shock. Connect only to a grounding type receptacle protected by a ground- fault circuit-interrupter (GFCI). Do not use an extension cord.</p>
 <p>The quartz glass and the UV-C lamp will stay warm for quite some time after the device has been switched off. It has a cooling time of at least 15 minutes.</p>	 <p>Wear gloves to protect the quartz glass and UV-C lamp against fingerprints. Fingerprints can burn into the quartz glass and UV-C lamp while turned on, causing reduction of the disinfection.</p>

 <p>The UV-C lamp should never be turned on when there's no flow.</p>	 <p>Wear safety glasses during maintenance and installation.</p>
 <p>At a high concentration, ozone can be toxic. Smog caused by ozone can damage the lungs and mucous membranes of humans and animals. Inhalation can cause illness. Smellable ozone should be considered as high concentration.</p>	

GROUNDING INSTALLATION (FIGURE 22)

1. Before the plastic strain relief (4) is fitted on the earthing bolt (1), first pull the cable (2) through the strain relief (4). Place the strain relief (4) about 10 cm from the eye (2) of the earthing cable.
2. Place the eye (2) of the cable over the earthing bolt that is attached to the housing.
3. Then place a serrated lock washer (3).
4. Attach the strain relief (4) to create a Ø5 cm loop.
5. Finally, place the second serrated lock washer (5) and the lock nut (6) on the earthing bolt.
6. Once the parts have been placed on the earthing bolt in the correct order, it can be tightened with an 8 mm open-end or ring spanner.

INSTALLATION OF THE DEVICE (SEE DRAWING 3)

Decide where you want to mount the device. Never install the UV-C unit after the pH controller, chlorine dispenser or salt electrolysis system in the swimming pool installation. The best place to install the device is directly after the filter. See the schematic diagram in the operating instructions. Make sure there is always water flowing through the device when the lamp is on. Never install the device in direct sunlight. Install the device in a dry, well-ventilated area. The device can be installed either horizontally or vertically, provided that the water flow is from bottom to top (see schematic diagram at the beginning of the instructions for use), with 30 cm of unobstructed space on the side opposite of the lamp connection for future maintenance. At least one metre of unobstructed space must be left on the side with the lamp connection for convenient future replacement of the lamp (K) without having to disconnect the entire device.

ATTENTION: all connections and couplings must be hand tight, without tools. This is to prevent damage.

1. Remove the nut (X1) from the bottom of the reactor (Figure 1).
2. Place the nut (X1) over the venturi's outlet. Glue the adapter (K1) in the glue coupling (J1) with the thread side first. Then glue the venturi (A) to the adapter with glue coupling. Allow the glued objects to evaporate for 8 hours (picture 2).
3. Check if the O-ring (W1) is still in the unit. Mount the venturi system at the bottom entrance of the reactor (Figure 3).
4. Unscrew the nut (X2) from the top of the reactor, on the side you want to use as an exit.. Attach the glue coupling (J2) to the top of the reactor, then tighten the nut (X2) again. Cap the other side by loosening the nut (X2), place the blind plate (R) On the reactor and screw back the nut (X2). (Figure 4).

5. The device can be connected to the rest of the piping in 3 different ways. 63mm, 50mm and 1.5 "internal thread.
 - 5a. Connect unit to pipe 50mm. Glue the adapter (K2) with the thread towards the unit in the glue coupling (J2). Glue the pipe in the adapter (K2). Remove the nut (X2) and let the glued objects evaporate for 8 hours. Attach the glued objects on the unit (figure 5a).
 - 5b. Connect the unit to a 63mm 2 "pipe. Glue the pipe in the glue coupling (J2). Remove the nut (X2) and let the glued objects evaporate for 8 hours. Attach the glued objects to the unit (figure 5b).
 - 5c. Connect the unit to the 1.5 "threaded pipe (not supplied). Tighten the adapter (K2) onto the pipe by hand. Glue the adapter (K2) into the glue coupling (J2). Remove the nut (X2) and let the glued objects evaporate for 8 hours. Attach the glued objects on the unit (figure 5c).
6. Remove the 3-part coupling from the venturi. Place the mounting ring over the pipe and glue the connection to the pipe. Allow the glued parts to evaporate for 8 hours. Then attach the venturi (A) to the pipe (Figure 9).
7. Now mount the complete device including the venturi system in the desired location between the pipes. Fix the unit with the supplied pipe clamps.
8. Mount the manometer (M) on the venturi. Use Teflon tape (not supplied) for this. Tighten the manometer by hand (picture 10).
9. Loosen the nut (U) at the top and remove the fitting holder (T) (picture 6).
10. Partially insert the lamp (V) into the quartz glass (S) and connect the lamp to the fitting holder (T). Then insert the lamp with fitting holder completely into the quartz glass until it fits well on the O-ring (Y). Then tighten the nut (picture 8).
11. Take the tube with the non-return valve (C). Attach the short section of hose to the bottom of the appliance on the hose tail (F). Place the longest section of tubing on the adapter (L) of the venturi system (Figure 11).
12. Unscrew the end cap (F) at the bottom of the reactor. Start up the pump and check the system for flow and leakage. Then switch off the pump again. Screw the nut (Z) end cap (F) back onto the reactor.
13. Switch the pump on again. Plug the UV-C device into a wall outlet with a protective earth conductor. Check that the lamp (V) is lit through the transparent outlet (X) of the unit (figure 23).
14. The amount of ozone air in the system can be controlled by the ball valve (B). The tighter the ball valve is, the more air with ozone enters the system. The ideal position on the manometer is 0.4 to 0.7 bar.

INSTRUCTIONS FOR USE OF THE DIGITAL TIMER

When the UV-C device is switched on, the program will perform a self-diagnostic test. The display shows the following indications automatically, one after the other: 8888 (display test); r and software version number; 50H or 60H indication of the network frequency. Then the display switches to the hour meter mode.

When the UV-C lamp is switched on for the first time, or after the reset function is used, the value 9,000 will appear on the display. A decimal point flashes beside the rightmost digit on the display every second to indicate that the counter is running. The display is automatically set to the factory hour meter reading of 9,000 hours. Up to 9,000 hours the UV-C lamp produces its rated radiation level. After 9,000 hours the radiation diminishes. The radiation may then be insufficient to achieve the desired results. If the UV-C lamp has been in use for some time and has been switched on before, each time it is switched on the display will show the value it had before the UV-C lamp was switched off. If the count of the hour meter is increased or decreased, the reading it had before the display was switched off will be shown.

The hour meter settings can be changed if desired. This can be done as follows: After holding in the button (T) located below the display for 5 seconds, the display shows 'rSt' indicating that the user menu has been selected. After releasing the button (P) the counter and 'rSt' alternate on the display. Now each brief press of the button will step through the menu options. There are three setting options in the menu: 'rSt', 'up' and 'dn'.

- 'rSt' means (reset): this resets the counter to the factory settings of 9,000 hours. This selection is confirmed by the counter and 'rSt' alternating on the display. If the button (P) is held for 5 seconds, after which the hour meter reading 9,000 is displayed, and then released, the hour meter starts counting down from 9,000 hours. This option is used, for example, when a lamp is replaced or when the counter mode has been changed and it must be reset to the factory settings.
- 'up' means (up): this allows you to increase the hour meter reading to the value you want. This selection is confirmed by the selected user setting 'up' and the hour meter reading alternating on the display. Now hold the button (P) for 5 seconds. After 5 seconds the display will only show 'up'. Then release the switch. By briefly pressing the switch the counter value can be increased from 9,000 in 500-hour increments to a maximum value of 9999. The increased value alternates with 'up' on the display. Once the desired hour reading is selected, wait 10 seconds. After 10 seconds the selected hour meter reading appears on the display and the timer countdown begins. If an error has been made while increasing the hour meter reading, for example, the hour meter can be reset to 9,000 by holding the switch for 5 seconds. The hour meter reading is then reset to 9,000 and a new value can be set.
- 'dn' means (down): this allows you to decrease the hour meter reading to the desired value. This selection is confirmed by the selected user setting 'dn' and the hour meter reading alternating on the display. Now hold the button (P) for 5 seconds. After 5 seconds the display will only show 'dn'. Then release the switch. By briefly pressing the switch the counter value can be decreased from 9,000 in 500-hour increments to a minimum value of 0000. The decreased value alternates with 'dn' on the display. Once the desired hour reading is selected, wait 10 seconds. After 10 seconds the selected hour meter reading appears on the display and the timer countdown begins. If an error has been made while decreasing the hour meter reading, for example, the hour meter can be reset to 9,000 by holding the switch for 5 seconds. The hour meter reading is then reset to 9,000 and a new value can be set.

The hour meter indicates that the lamp must be replaced as follows:

- From hour meter reading 0672 the display flashes each second. The lamp should be replaced within 4 weeks.
- From hour meter reading 0336 the display flashes each half second. The lamp should be replaced within 2 weeks.
- From hour meter reading 0168 the display flashes each second. The lamp should be replaced within 1 week.
- When the hour meter reading reaches 0000, the numbers will flash quickly and the counter will no longer count down. The lamp must be replaced.

MAINTENANCE/DISMANTLING

Always disconnect the power supply during maintenance/disassembly of the device.

The device must be cleaned at least twice a year. When there is a significant amount of algal growth and/or lime build-up in the unit the quartz sleeve (S) must be cleaned.

The special lamp must be replaced after the number of hours of operation has elapsed. The inside of the reactor can be cleaned with a soft brush.

1. Drain the water from the device.
2. Unscrew the nut (U) and remove the lamp (V) from the fitting (T). Take the lamp out of the quartz glass (S) and replace the lamp (V) if necessary. Caution is advised as these are very fragile parts.
3. Unscrew nut (Z) at the bottom. And remove the end cap (F) (Figure 13).
4. Carefully remove the quartz glass (S) by first loosening the nut (G) on the bottom and then unpacking the quartz glass from the top and then remove the o-ring (D) and sliding ring (H) from below (see figure 13 to 16). Never force! NOTE: Always wear protective gloves and glasses.
5. Clean the quartz glass (S) with a suitable agent. Always use a soft cloth to clean the glass, avoid scratches (figure 17). NOTE: The quartz glass connection cannot and must not be disassembled. Disassembly attempts can lead to leakage, glass breakage or personal injury. Damage to the UV-C device as a result of disassembly is not covered Guarantee.
6. Place the quartz glass (S) back into the reactor by first inserting the quartz glass (S) into the reactor. Then slide the O-ring (D) On the glass at the bottom and then the sliding ring (H). Then turn the nut (G) Back at the bottom, hand tight (figure 18 to 20). Never force! NOTE: Always wear protective gloves and glasses.
7. Replace end cap (F) on the reactor. Re-screw nut (Z) to the reactor (Figure 20).
8. Carefully replace the lamp in the quartz glass, replace the O-ring (Y) on the quartz glass and connect the lamp (V) to the lamp holder (T). Screw the nut (U) back onto the housing (figure 21).

If the housing or the electrical part needs to be replaced, the earthing of the housing must first be disconnected. When installing a new housing or electrical part, please read the chapter Installation and Disassembly first. Make sure that the various loose parts of the earthing are stored properly. These are not supplied with a new housing or electrical part. If in doubt about the connection, consult an authorized installer.

For the safety instructions and terms of guarantee we would like to refer to the general UV-C manual from VGE International B.V.



Lesen Sie diese Gebrauchsanweisung vor dem Installieren des Geräts sorgfältig durch.

ARBEITSWEISE

In diesem Reaktor wird durch die Hilfe einer UVC Lampe eine Strahlung mit einer Wellenlänge von 253,7 nm erzeugt. Diese Strahlung hat eine abtötende Wirkung auf Bakterien, Viren, Algen und Schimmel (u.a. Legionellen und Cryptosporidien). Die UVC Strahlung sorgt auf eine effiziente und umweltfreundliche Weise für sauberes, frisches und klares Wasser.







Sie verbinden das "AOP Compact Ozone & UV-C 75W 2.0" mit Ihrem Schwimmbadesystem. Mit einer Pumpe wird das Wasser durch den mitgelieferten Reaktor in das Gerät gepumpt. Aufgrund des Wasserdrucks im Reaktor wird Luft durch das Venturi-System gesaugt. Luft wird über das Luftventil in das Gerät gesaugt und strömt durch den Bereich zwischen dem Quarzglas und der AOP Compact Ozone & UV-C-Lampe. Die Lampe hat eine Doppelfunktion und erzeugt gleichzeitig Ozon und UV-C-Licht. Da Luft über die Lampe in das Gerät gelangt, wird Ozon von der speziellen AOP Compact Ozone & UV-C-Lampe erzeugt, die 0,6 Gramm Ozon erzeugt. Nachdem es den Kugelhahn passiert hat, wird die mit Ozon angereicherte Luft mit Wasser im System gemischt. Hier findet die Oxidation und Sterilisation statt und es wird ein leistungsfähiger Desinfektionsprozess erreicht. Das Wasser-Ozon-Gemisch wird dann der UV-C-Strahlung der Lampe ausgesetzt. Das UV-C baut das im Wasser verbleibende Ozon ab und wandelt es in OH- (Hydroxylradikale) um, die ein sehr hohes Oxidationspotential aufweisen.

Die Lampe hat eine Doppelfunktion und erzeugt gleichzeitig Ozon und UV-C-Licht. Die Ozonpartikel im Wasser werden vom UV-C-Gerät unmittelbar nach Beendigung ihrer Funktion wieder vollständig abgebaut. Dies geschieht, weil das Ozon beim zweiten Durchgang durch die Lampe mit Wasser gemischt wird.



VORSICHT:

Lesen Sie aufmerksam diese Anweisungen, bevor Sie das Gerät installieren.

 <p>Achten Sie stets darauf, dass eine korrekte Erdung vorliegt. Bei grundsätzlichen Zweifeln in Bezug auf die elektrotechnische Installation sollten Sie sich immer an einen zugelassenen Elektrotechniker wenden. Eine fehlerhafte Erdung kann gefährlich sein und/oder zur Korrosion von Edelstahl- oder Aluminiumreaktoren führen.</p>	 <p>Es ist nicht gestattet, eine Flüssigkeit durch den Reaktor zu leiten oder dem zu behandelnden Wasser Zusätze beizumischen, die sich durch Korrosion oder Zersetzung nachteilig auf die verwendeten Materialien auswirken könnten. Dadurch sollen gefährliche Situationen und Schäden am Reaktor und den umgebenden Installationen und/oder der Flora und Fauna verhindert werden.</p>
 <p>Die strahlung dieser uv-lampe ist für augen und haut gefährlich.</p>	 <p>Machen sie das gerät bei der wartung zunächst immer spannungsfrei! Gefahr eines Stromschlags. Nur an eine Erdungssteckdose anschließen, die durch einen FI-Schutzschalter abgesichert ist. Kein Verlängerungskabel benutzen.</p>
 <p>Das Quarzglas und die UV-C-Lampe bleiben nach dem Ausschalten des Geräts für längere Zeit noch warm. Die Abkühlungszeit beträgt mindestens 15 Minuten.</p>	 <p>Benutzen Sie Handschuhe, um das Quarzglas und die UV-C-Lampe vor Fingerabdrücken zu schützen. Fingerabdrücke können sich bei eingeschalteter Lampe in das Quarzglas und die UV-C-Lampe einbrennen und die Desinfektionsleistung reduzieren.</p>

DE

	Die UV-C-Lampe darf keinesfalls eingeschaltet werden, wenn keine Strömung vorhanden ist.		Tragen Sie bei Installations- und Wartungsarbeiten stets Handschuhe.
	In einer hohen Konzentration kann Ozon giftig sein. Durch Ozon verursachter Smog kann die Lunge und die Schleimhäute von Mensch und Tier schädigen. Einatmen kann zu Krankheiten führen. Geruchbares Ozon ist als hohe Konzentration anzusehen.		

INSTALLATION ERDUNG (ZEICHNUNG 23)

1. Vor der Montage der Kunststoff-Zugentlastung (4) an der Erdungsschraube (1) muss das Kabel (2) zuerst durch die Zugentlastung (4) geführt werden. Positionieren Sie die Zugentlastung (4) ungefähr 10 cm vom Auge (2) des Erdungskabels entfernt.
2. Setzen Sie das Auge (2) des Kabels über die am Gehäuse befestigte Gewindeende.
3. Dann einen Sicherungsring (3) anbringen.
4. Befestigen Sie die Zugentlastung (4) so das eine Schlaufe von zirka \varnothing 5 cm entsteht.
5. Setzen Sie zum Schluss die zweite Sicherungsscheibe (5) und die Mutter (6) auf das Erdungsgewinde.
6. Wenn die Teile in der richtigen Reihenfolge auf der Erdungsgewinde platziert sind, kann diese mit einem Schraubenschlüssel oder Ringschlüssel Nummer 8 festgezogen werden.

INSTALLATION DES GERÄTS

Bestimmen Sie einen Ort, an dem das Gerät montiert werden soll. Installieren Sie die UV-C niemals in der Nähe vom pH Regler, Chlordosierung oder Salzelektrolyse-Systems der Schwimmbadinstallation. Der beste Ort um dieses Gerät zu installieren ist direkt nach dem Filter. Siehe hierzu das Schema in der Gebrauchsanleitung. Sorgen Sie immer für ausreichend Durchfluss (zwecks Kühlung) wenn das Leuchtmittel brennt. Installieren Sie das Gerät nicht in der prallen Sonne. Installieren Sie das Gerät immer in einem trockenen und gut belüfteten Raum. Das Gerät kann sowohl horizontal als auch vertikal montiert werden, solange der Wasserdurchfluss immer von unten nach oben geht. (Siehe Zeichnung in der Gebrauchsanweisung). Es muss am Lampenanschluss ausreichend Platz gelassen werden (ca. 30 cm) für evtl. Wartungsarbeiten. An der Seite des Lampeneinschubes sollte mind. 1 Meter Platz sein, um das Leuchtmittel (V) problemlos entnehmen oder ersetzen zu können.

ACHTUNG: Alle Anschlüsse und Kupplungen müssen von Hand angezogen werden, also ohne Werkzeug. Dies soll Schäden verhindern.

1. Entfernen Sie die Mutter (X1) vom Boden des Reaktors (Abbildung 1).
2. Setzen Sie die Mutter (X1) über den Venturi-Auslass. Kleben Sie der Reduzierhülse (K1) mit der Gewindeseite zuerst in die Klebesocke (J1). Kleben Sie dann das Venturi (A) auf der Reduzierhülse mit Klebesocke. Lassen Sie die geklebten Gegenstände 8 Stunden lang verdunsten (Abbildung 2).
3. Überprüfen Sie, ob sich der O-Ring (W1) noch im Gerät befindet. Montieren Sie das Venturi-System am unteren Eingang des Reaktors (Abbildung 3).

4. Lösen Sie die Mutter (X2) von der Oberseite des Reaktors. Befestigen Sie die Klebesocke (J2) oben am Reaktor und Montieren Sie die Mutter (X2) wieder (Abbildung 4).
5. Das Gerät kann auf drei verschiedene Arten mit dem Rest der Rohrleitungen verbunden werden: 63 mm, 50 mm und 1,5 Zoll Innengewinde.
 - 5d. Gerät an Rohr 50mm anschließen. Kleben Sie der Reduzierhülse (K2) mit dem Gewindeseite zuerst in die Klebesocke (J2) ein. Kleben Sie das Rohr in der Reduzierhülse (K2). Entfernen Sie die Mutter (X2) und lassen Sie die geklebten Gegenstände 8 Stunden lang verdunsten. Montieren Sie die geklebte Gegenstände an der Anlage (Abbildung 5a).
 - 5e. Gerät an Rohr 63 mm anschließen. Kleben Sie das Rohr in die Klebesocke (J2). Entfernen Sie die Mutter (X2) und lassen Sie die geklebten Gegenstände 8 Stunden lang verdunsten. Montieren Sie die geklebte Gegenstände an der Anlage (Abbildung 5b).
 - 5f. Gerät an 1,5" Rohr mit Gewinde anschließen (nicht im Lieferumfang enthalten). Ziehen Sie der Reduzierhülse (K2) von Hand am Rohr fest. Kleben Sie der Reduzierhülse (K2) in die Klebesocke (J2). Entfernen Sie die Mutter (X2) und lassen Sie die geklebten Gegenstände 8 Stunden lang verdunsten. Montieren Sie die geklebte Gegenstände an der Anlage (Abbildung 5c).
6. Entfernen Sie die dreiteilige Kupplung vom Venturi. Setzen Sie den Montagering über das Rohr und kleben Sie die Verbindung auf das Rohr. Lassen Sie die geklebten Teile 8 Stunden lang verdunsten. Montieren Sie das Venturi (A) am Rohr (Abbildung 9).
7. Montieren Sie nun das Komplette Gerät einschließlich des Venturi-Systems an der gewünschten Stelle zwischen den Rohren. Befestigen Sie das Gerät mit den mitgelieferten Rohrschellen.
8. Montieren Sie das Manometer (M) am Venturi. Verwenden Sie dazu Teflon Band (nicht mitgeliefert). Ziehen Sie das Manometer von Hand fest (Abbildung 10).
9. Lösen Sie die Mutter (U) an der oben des Gerätes und entfernen Sie den Anschlusshalter (T) (Bild 6).
10. Stecken Sie die Lampe (V) teilweise in das Quarzglas (S) ein und verbinden Sie die Lampe mit dem Anschlusshalter (T). Setzen Sie dann die Lampe mit Anschlusshalter vollständig in das Quarzglas ein, bis sie fest auf dem O-Ring (Y) sitzt. Ziehen Sie dann die Mutter fest (Abbildung 8).
11. Nehmen Sie den Schlauch mit dem Rückschlagventil (C). Befestigen Sie den kurzen Schlauchabschnitt an der Unterseite des Geräts am Schlauchschwanz auf Endkappe (F). Legen Sie den längsten Schlauchabschnitt auf den Adapter (L) des Venturi-Systems (Abbildung 11).
12. Schrauben Sie mittels Mutter (Z) die Endkappe (F) am Boden des Reaktors ab. Starten Sie die Pumpe und überprüfen Sie das System auf Durchfluss und Leckage. Schalten Sie dann die Pumpe wieder aus. Schrauben Sie mittels der Mutter (Z) die Endkappe (F) wieder auf den Reaktor.
13. Schalten Sie die Pumpe wieder ein. Stecken Sie dem Stecker von das UV-C-Gerät eine Steckdose mit Schutzerde. Überprüfen Sie, mittels die transparente Verbindungsstücke, ob die Lampe (V) leuchtet (Abbildung 23).
14. Die Menge an Ozon im System kann gesteuert werden durch der Kugelhahn (B). Je mehr der Kugelhahn zu ist, desto mehr Ozon gelangt in das System. Die ideale Position am Manometer liegt bei 0,4 bis 0,7 bar.

GEBRAUCHSANWEISUNG FÜR DEN DIGITALEN STUNDENZÄHLER

Wenn das UVC Gerät eingeschaltet wird, läuft zuerst ein Selbsttest. Das Display zeigt automatisch nacheinander die folgenden Daten: 8888 (Display test), R und Software Versionsnummer, 50H oder 60H der Netzfrequenz. Danach wird der Zählerstand angezeigt.

Wenn die UVC zum ersten mal eingeschaltet wird, oder nach der Nutzung der „Reset“ Funktion, wird der Wert 9000 im Display angezeigt. Neben der rechten Zahl im Display leuchtet jede Sekunde ein Punkt, der erkennen lässt, das der Zähler läuft. Das Display steht im Auslieferungszustand auf den bei Hersteller eingestellten Wert von 9.000 Stunden. Bis 9000 Stunden hat das Gerät ausreichend Strahlung. Nach diesen 9000 Stunden sinkt diese Strahlungsleistung. Die UVC Strahlung kann dann nicht mehr ausreichend sein, um zum gewünschten Ergebnis zu kommen. Wenn dieses Leuchtmittel schon länger in Betrieb ist, oder zuvor schon einmal gebrannt hat, wird das Display den Wert wiedergeben, bevor es ausgeschaltet wurde. Sollte der Stundenzähler selbstständig erhöht oder verringert werden, dann wird das Display den Wert wiedergeben, bevor es ausgeschaltet wurde. Die Einstellungen des Uhrenzählers können wenn gewünscht angepasst werden. Dies kann wie folgt gemacht werden: Nach dem 5 Sekunden drücken von Schalter (P) unter dem Display, wird „rSt“ angezeigt, somit ist das Nutzermenü geöffnet. Nach dem loslassen von Schalter (P) leuchtet der Zählerstand und „rSt“ abwechselnd auf dem Display. Durch kurzes eindrücken des Schalters wird durch die Schritte im Menü navigiert. Es gibt drei Einstellungsmöglichkeiten im Menü „rSt“, „up“ (hoch) und „dn“ (runter).

- „rSt“ bedeutet Reset. Hierdurch geht der Zählerstand zurück in die Werkseinstellung von 9.000 Stunden. Diese Auswahl wird bestätigt durch das abwechselnde Blinken von „rSt“ und dem Zählerstand im Display. Wenn der Schalter (P) 5 Sekunden festgehalten wird, dann der Zählerstand 9.000 wiedergegeben wird, und dann losgelassen wird, beginnt der Stundenzähler zurück zu zählen von Wert 9.000 Stunden. Diese Auswahl wird benötigt wenn z.B. das Leuchtmittel ersetzt wurde, oder wenn der Zählerstand verändert wurde und zurück auf die Werkseinstellung gesetzt werden soll.
- „up“ bedeutet „hoch“. Hiermit kann der Zählerstand erhöht werden auf einen durch Sie bestimmten Zählerstand. Diese Auswahl wird bestätigt durch die gewählte Nutzereinstellung „up“ und den Zählerstand im Display abwechselnd leuchten zu lassen. Dann halten Sie 5 Sekunden den Schalter (P). Auf dem Display bei nach 5 Sekunden nur noch „up“ auf dem Display stehen. Lassen Sie dann den Schalter los. Durch den Schalter kurz zu drücken kann der Zählerwert von 9.000 in Schritten a 500 Stunden erhöht werden, bis zu einem maximalen Wert von 9999. Der erhöhte Wert leuchtet abwechselnd mit „up“ auf dem Display. Wenn der gewünschte Zählerstand eingestellt ist warten Sie 10 Sekunden. Nach dieser Zeit springt die gewählte Zeit auf das Display und das Zählen beginnt. Wenn Sie während des Erhöhens einen Fehler gemacht haben, dann kann der Zähler wieder nach 9.000 gesetzt werden, wenn Sie den Schalter 5 Sekunden eingedrückt halten. Die Zählerzeit wird dann Resetet und nach 9.000 zurück gestellt. Es kann dann die Einstellung neu vorgenommen werden.

- „dn“ bedeuten „runter“. Hiermit kann der Zählerstand vermindert werden auf einen durch Sie bestimmten Zählerstand. Diese Auswahl wird bestätigt durch die gewählte Nutzereinstellung „dn“ und den Zählerstand im Display abwechselnd leuchten zu lassen. Dann halten Sie 5 Sekunden den Schalter (P). Auf dem Display steht nach 5 Sekunden nur noch „dn“ auf dem Display.. Lassen Sie dann den Schalter los. Durch kurzes drücken des Schalters kann der Zählerwert von 9.000 in Schritten a 500 Stunden vermindert werden, bis zu einem minimalen Wert von 0000. Der verringerte Wert leuchtet abwechselnd mit „dn“ auf dem Display. Wenn der gewünschte Zählerstand eingestellt ist warten Sie 10 Sekunden. Nach dieser Zeit springt die gewählte Zeit auf das Display und das Zählen beginnt. Wenn Sie während des verringern einen Fehler gemacht haben, dann kann der Zähler wieder nach 9.000 gesetzt werden, wenn Sie den Schalter 5 Sekunden eingedrückt halten.. Die Zählerzeit wird dann Resetet und auf 9.000 zurück gestellt. Es kann dann die Einstellung neu vorgenommen werden.

Der Stundenzähler gibt auf folgende Art an, dass das Leuchtmittel ersetzt werden muss:

- Ab Zählerstand 0672, Display blinkt jede Sekunde. Die Lampe muss in 4 Wochen ersetzt werden.
- Ab Zählerstand 0336, Display blinkt jede halbe Sekunde. Die Lampe muss in 2 Wochen ersetzt werden.
- Ab Zählerstand 0168, Display blinkt jede Sekunde. Die Lampe muss in 1 Woche ersetzt werden.
- Bei einem Zählerstand von 0000 bleiben die Zahlen am blinken und der Zähler steht still. Die Lampe muss ersetzt werden.

WARTUNG/DEMONTAGE

Schalten Sie die Stromversorgung während der Wartung/Demontage des Geräts immer aus. Das Gerät sollte mindestens zweimal im Jahr gereinigt werden. Wenn das Algenwachstum und/oder der Kalkbelag im Gerät zunimmt, muss das Quarzglas (S) gereinigt werden. Die UV-C-Lampe muss nach Ablauf der Brenndauer ausgetauscht werden. Das Innere des Reaktors kann mit einer weichen Bürste gereinigt werden.

1. Lassen Sie das Wasser aus dem Gerät ab.
2. Lösen Sie die Mutter (U) und entfernen Sie die Lampe (V) von der Anschlusshalter (T). Nehmen Sie die Lampe aus dem Quarzglas (S) und ersetzen Sie sie gegebenenfalls (V). Vorsicht ist geboten, da es sich um sehr zerbrechliche Teile handelt (Abbildung 12).
3. Mutter (Z) unten abschrauben. Entfernen Sie die Endkappe (F) (Abbildung 13).
4. Entfernen Sie vorsichtig das Quarzglas (S), indem Sie zuerst die Mutter (G) unten lösen und dann das Quarzglas von oben herausnehmen. Entfernen Sie dann den O-Ring (D) und den Gleitring (H) von unten (Abbildungen 13, 14, 15 und 16). Niemals zwingen! HINWEIS: Tragen Sie immer Schutzhandschuhe und eine Brille.
5. Reinigen Sie das Quarzglas (S) mit einem geeigneten Mittel. Verwenden Sie zum Reinigen des Glases immer ein weiches Tuch, um Kratzer zu vermeiden (Bild 17). ACHTUNG: Die Quarzglas Verbindung kann und darf nicht zerlegt werden. Demontageversuche können zu Undichtigkeiten, Glasbruch oder Verletzungen führen. Schäden am UV-C-Gerät durch Demontage fallen nicht unter die Garantie.

6. Setzen Sie das Quarzglas (S) wieder in den Reaktor ein, indem Sie zuerst das Quarzglas (S) in den Reaktor einsetzen. Schieben Sie dann den O-Ring (D) auf den Boden des Glases und dann den Gleitring (H). Ziehen Sie dann die Mutter (G) unten handfest an. Überprüfen Sie das System auf Undichtigkeiten und Durchfluss (Abbildungen 18, 19 und 20). Niemals zwingen! HINWEIS: Tragen Sie immer Schutzhandschuhe und eine Brille.
7. Setzen Sie die Endkappe (F) wieder auf den Reaktor. Schrauben Sie die Mutter (Z) wieder auf den Reaktor (Abbildung 20).
8. Setzen Sie die Lampe vorsichtig wieder in das Quarzglas ein, setzen Sie den O-Ring (Y) am Quarzglas wieder ein und verbinden Sie die Lampe (V) mit dem Anschlusshalter (T). Schrauben Sie die Mutter (U) wieder auf das Gehäuse (Abbildung 21).

Wenn das Gehäuse oder das elektrische Teil ausgetauscht werden muss, muss zuerst die Erdung des Gehäuses getrennt werden. Lesen Sie zuerst das Kapitel Installation und Demontage, wenn Sie ein neues Gehäuse oder ein neues elektrisches Teil installieren. Stellen Sie sicher, dass die verschiedenen losen Teile der Erdung ordnungsgemäß aufbewahrt werden. Diese werden nicht mit einem neuen Gehäuse oder elektrischen Teil geliefert. Wenn Sie Zweifel an der Verbindung haben, wenden Sie sich an einen autorisierten Installateur.

Für die Sicherheitsbestimmungen und Garantiebedingungen verweisen wir auf unsere allgemeinen UVC Anleitung von VGE B.V.



Important lisez attentivement ce manuel avant de procéder à l'installation et à la mise en service.

FUNCTIONNEMENT:

À l'intérieur du réacteur, une lampe UV-Ozone produit un rayonnement d'une longueur d'onde de 253,7 nm. Le rayonnement de ce type supprime les bactéries, virus, algues et champignons (par exemple Legionella et Cryptosporidium). L'appareil UV-Ozone produit de l'eau propre, saine et claire d'une manière efficace et respectueuse de l'environnement.







Vous installez l'appareil UV Ozone «AOP Compact Ozone & UV-C 75W 2.0» à votre circuit de bouclage de piscine. Installé e naval d'une pompe, l'eau est passe à travers le générateur UVc Ozone alimenté. En raison de la pression de l'eau dans le réacteur, l'air ambiant du local technique est aspiré à travers le système Venturi. Le débit d'air est aspiré dans l'unité grâce à la vanne installée sur l'appareil et circule dans la gaine quartz entre sa paroi interne et la lampe AOP Compact Ozone & UV-C. La lampe a une double fonction, produisant de l'ozone et un rayonnement UV-C en même temps. Parce que de l'air circule en permanence en contact avec la lampe, l'ozone est produit par la lampe spéciale AOP Compact Ozone & UV-C, qui produit 0,6 gramme d'ozone par heure (environ).




Après avoir passé le venturi, l'ozone est ensuite mélangé à l'eau de la boucle. L'oxydation a lieu ici, et un processus de désinfection puissant est réalisé. Le mélange eau-ozone est ensuite exposé au rayonnement UV-C de la lampe mais cette fois à l'extérieur de la gaine quartz. Les UV-C décomposent l'ozone restant dans l'eau, le transformant en OH- (radicaux hydroxyyles) qui ont un potentiel d'oxydation très élevé. La lampe a une double fonction concernant l'ozone, le produisant et le détruisant ensuite par la lumière UV-C. L'ozone dans l'eau est décomposé par l'appareil UV-C immédiatement après avoir passé le générateur UVc.



CAUTION:

Lire attentivement la notice avant d'installer cet appareil.

 <p>Assurez-vous toujours d'avoir une mise à la terre correcte. En cas de doute sur la mise à la terre de l'installation d'alimentation de l'appareil, consultez toujours un professionnel électricien agréé. Une mise à la terre défectueuse peut être dangereuse et / ou conduire à la corrosion des générateurs en acier inoxydable ou en aluminium.</p>	 <p>Il est interdit de faire circuler un liquide dans le générateur UVc ou d'ajouter un additif dans l'eau à traiter, ce qui peut avoir un effet générateur de corrosion ou la dégradation des matériaux en contact. Ceci afin d'éviter des situations dangereuses ou des dommages sur le générateur UVc et aux installations environnantes et / ou à la faune et la flore.</p>
 <p>Le rayonnement de la ou des lampes ultraviolet est dangereux pour les yeux et la peau.</p>	 <p>Toujours débrancher l'alimentation générale de l'appareil avant toute intervention ou toute maintenance! Risque d'électrocution. Connectez uniquement à une prise de terre reliée à la terre protégée par un disjoncteur de fuite à la terre (GFCI). Ne pas rallonger le câble ni d'utiliser de rallonge électrique.</p>
 <p>Le verre de quartz et la lampe UV-C resteront chauds pendant un certain temps après la mise hors tension de l'appareil. Respecter un temps de refroidissement d'au moins 15 minutes à l'air frais.</p>	 <p>Portez des gants pour protéger la gaine quartz et la lampe UV-C contre les traces de doigts. Les traces d'empreintes digitales peuvent brûler sur le verre de quartz et la lampe UV-C lorsqu'elles sont allumées, ce qui réduit la désinfection.</p>

 <p>La lampe UV-C ne doit jamais être allumée sans débit d'eau dans le générateur.</p>	 <p>Portez des lunettes de sécurité lors de l'entretien et de l'installation.</p>
 <p>À une concentration élevée, l'ozone peut être toxique. Le smog causé par l'ozone peut endommager les poumons et les muqueuses des humains et des animaux. L'inhalation peut provoquer des maladies. L'ozone odorant doit être considéré comme une concentration élevée.</p>	

INSTALLATION DE LA MISE À LA TERRE (FIGURE 22)

1. Avant de monter la pince en plastique (4) sur le boulon de mise à la terre (1), tirez d'abord le câble (2) à travers la pince (4). Placer la pince (4) à environ 10 cm de l'œil (2) du câble de mise à la terre.
2. Placez l'œil (2) du câble sur le boulon de mise à la terre fixé au boîtier.
3. Placez ensuite une rondelle de blocage dentelée (3).
4. Fixez le serre-câble (4) pour créer une boucle de Ø5 cm.
5. Enfin, placez la deuxième rondelle de blocage dentelée (5) et l'écrou de blocage (6) sur le boulon de mise à la terre.
6. Une fois que les pièces ont été placées sur le boulon de mise à la terre dans le bon ordre, il peut être serré avec une clé plate ou une clé polygonale de 8 mm.

INSTALLATION DE L'APPAREIL (VOIR SCHÉMA 3)

Décidez où vous souhaitez installer l'appareil. N'installez jamais l'unité UV-C après l'injection de pH, et de chlore ou le système d'électrolyse au sel dans l'installation de la piscine.

Le meilleur endroit pour installer l'appareil est directement après le filtre. Voir le schéma de principe dans le mode d'emploi. Assurez-vous qu'il y a toujours de l'eau qui coule à travers l'appareil lorsque la lampe est allumée. N'installez jamais l'appareil à la lumière directe du soleil. Installez l'appareil dans un endroit sec et bien ventilé. L'appareil peut être installé horizontalement (recommandé) ou dans certains cas verticalement, à condition que le débit d'eau se fasse de bas en haut (voir schéma de principe au début de la notice d'utilisation), avec 30 cm d'espace dégagé du côté opposé au raccordement de la lampe pour l'entretien. Au moins 1 m d'espace libre doit être laissé sur le côté avec la connexion de la lampe pour un remplacement de la lampe (K) sans avoir à déconnecter tout l'appareil.

ATTENTION: toutes les connexions et raccordement doivent être serrés à la main, sans outils. Ceci pour éviter les dommages et eclatements.

15. Retirez l'écrou (X1) du bas du réacteur (Figure 1).
16. Placez l'écrou (X1) sur la sortie du venturi. Collez l'adaptateur (K1) dans le raccord à coller (J1) avec le côté filetage en premier. Ensuite, collez le venturi (A) sur l'adaptateur avec le raccord à coller. Laisser les objets collés s'évaporer pendant 8 heures (image 2).
17. Vérifiez si le joint torique (W1) est bien en place dans l'appareil. Montez le système venturi à l'entrée inférieure du générateur UVc (Figure 3).
18. Dévissez l'écrou (X2) du haut du réacteur, du côté que vous souhaitez utiliser comme sortie.

Fixez le raccord à coller (J2) sur le dessus du réacteur, puis resserrez l'écrou (X2). Boucher l'autre côté en desserrant l'écrou (X2), placer la plaque borgne (R) sur le réacteur et revisser l'écrou (X2). (Figure 4).

19. L'appareil peut être connecté au reste de la tuyauterie de 3 manières différentes. Filetage intérieur de 63 mm, 50 mm et 1" ½.
 - 5a. Connectez l'unité au tuyau de 50 mm. Collez l'adaptateur (K2) avec le filetage vers l'unité dans le raccord à coller (J2). Collez le tuyau dans l'adaptateur (K2). Retirez l'écrou (X2) et laissez les objets collés s'évaporer pendant 8 heures. Fixez les objets collés sur l'appareil (figure 5a).
 - 5b. Connectez l'unité à un tuyau de 63 mm 2". Collez le tuyau dans le raccord à coller (J2). Retirez l'écrou (X2) et laissez les objets collés s'évaporer pendant 8 heures. Fixez les objets collés à l'unité (figure 5b).
 - 5c. Connectez l'unité au tuyau fileté de 1"1/2 (non fourni). Serrez l'adaptateur (K2) sur le tuyau à la main. Collez l'adaptateur (K2) dans le raccord à coller (J2). Retirez l'écrou (X2) et laissez les objets collés s'évaporer pendant 8 heures. Fixez les objets collés sur l'appareil (figure 5c).
20. Retirez l'accouplement en 3 parties du venturi. Placez la bague de montage sur le tuyau et collez la connexion au tuyau. Laissez les parties collées s'évaporer pendant 8 heures. Fixez ensuite le venturi (A) au tuyau (Figure 9).
21. Montez maintenant l'appareil complet, y compris le système venturi, à l'emplacement souhaité entre les tuyaux. Fixez l'unité avec les colliers de serrage fournis.
22. Montez le manomètre (M) sur le venturi. Utilisez du ruban Téflon (non fourni) pour faire l'étanchéité du filetage. Serrez le manomètre à la main (image 10) sans outils.
23. Desserrez l'écrou (U) en haut et retirez le support de raccord (T) (photo 6).
24. Insérez partiellement la lampe (V) dans le verre de quartz (S) et connectez la lampe au support de montage (T). Ensuite, insérez complètement la lampe avec le support de montage dans le verre de quartz jusqu'à ce qu'il s'adapte bien au joint torique (Y). Serrez ensuite l'écrou (image 8).
25. Prenez le tube avec le clapet anti-retour (C). Fixez la courte section de tuyau au bas de l'appareil sur l'extrémité du tuyau (F). Placez la section de tube la plus longue sur l'adaptateur (L) du système venturi (Figure 11).
26. Dévissez le capuchon d'extrémité (F) au bas du réacteur. Démarrez la pompe, purger l'air et vérifiez le système pour le débit d'eau et les éventuelles fuites. Puis éteignez à nouveau la pompe. Revissez à la main le capuchon d'extrémité de l'écrou (Z) (F) sur le réacteur.
27. Remettez la pompe en marche. Branchez l'appareil UV-C dans une prise murale avec la terre de protection. Vérifiez que la lampe (V) est allumée à travers la sortie transparente (X) de l'appareil (figure 23).
28. La quantité d'air ozone dans le système peut être contrôlée par le robinet quart de tour (B). Plus le robinet est serrée, plus l'air contenant de l'ozone pénètre dans le système. La position idéale sur le manomètre est de 0,4 à 0,7 bar avec une pression générale de la boucle à 2 bar maxi.

MODE D'EMPLOI DU COMPTEUR HORAIRE NUMÉRIQUE

Lorsque l'appareil UV-C est activé, le programme procède à une auto-vérification. L'écran affiche automatiquement et successivement les indications suivantes : 8888 (test écran), r et numéro

de version du logiciel, affichage de la fréquence du réseau 50H ou 60H. Ensuite, l'écran affiche le compteur.

Lorsque la lampe UV-C est activée pour la première fois ou après utilisation de la fonction "réinitialisation", la valeur 9.000 s'affiche sur l'écran. À proximité du chiffre à l'extrême droite de l'écran, un point clignote chaque seconde pour indiquer que le compteur est en service. L'écran affiche automatiquement la valeur de compteur 9.000 heures réglée en usine. Jusqu'à 9.000 heures, la lampe UV-C génère un rayonnement actif. Après 9.000 heures, le rayonnement décroît. Il peut alors être insuffisant pour obtenir les résultats souhaités. Si la lampe UV-C est utilisée depuis un certain temps et qu'elle a déjà été activée au préalable, l'affichage indique, après l'activation, la valeur qu'elle présentait avant sa désactivation. Si vous avez vous-même augmenté ou diminué le statut du compteur horaire, le dernier statut du compteur avant sa désactivation est affiché. Le cas échéant, les réglages du compteur horaire peuvent être modifiés. Pour ce faire, procédez comme suit : Après avoir maintenu enfoncé durant 5 secondes l'interrupteur (R) sous l'écran, ce dernier affiche "rSt" pour indiquer que le menu utilisateur a été sélectionné. Après avoir relâché l'interrupteur (R), la valeur du compteur et "rSt" clignotent successivement sur l'écran. En appuyant ensuite brièvement sur l'interrupteur, il est possible de naviguer parmi les paramètres du menu. Il existe 3 possibilités de paramétrage : "rSt" "UP" et "dn".

- "rSt" signifie (réinitialisation) : il fait en sorte que le statut du compteur repasse aux réglages d'usine de 9.000 heures. Cette sélection est confirmée par le clignotement successif de la valeur du compteur et de "rSt" sur l'écran. Si l'interrupteur (R) est maintenu enfoncé durant 5 secondes, ce qui entraîne l'affichage de la valeur 9.000, et est ensuite relâché, le compteur horaire commence le compte à rebours à partir de la valeur 9.000 heures. Cette sélection est utilisée par exemple après le remplacement de la lampe ou après modification de la valeur du compteur et retour à la valeur d'usine.
- "up" signifie (vers le haut) : il permet d'augmenter la valeur du compteur à celle souhaitée. Cette sélection est confirmée par le clignotement successif sur l'écran du paramètre utilisateur sélectionné "up" et de la valeur horaire. Ensuite, tenez l'interrupteur (R) enfoncé durant 5 secondes. Après 5 secondes, l'écran n'affiche plus que "up". Relâchez ensuite l'interrupteur. En enfonçant brièvement l'interrupteur, la valeur du compteur peut être augmentée par paliers de 500 heures à partir de 9.000 [4.500 ou 16.000] jusqu'à une valeur maximale de 9.999. Sur l'écran, la valeur augmentée et "up" clignotent successivement. Lorsque la valeur voulue est sélectionnée, attendez 10 secondes. Après 10 secondes, la valeur sélectionnée s'affiche sur l'écran et le compte à rebours commence. Si, durant l'augmentation de la valeur horaire par exemple, une erreur est commise, il est possible de remettre la valeur du compteur horaire sur 9.000 en maintenant l'interrupteur enfoncé durant 5 secondes. La valeur horaire repasse alors à 9.000 et une nouvelle valeur peut être réglée.
- "dn" signifie (vers le bas) : il permet d'abaisser la valeur du compteur à celle souhaitée. Cette sélection est confirmée par le clignotement successif sur l'écran du paramètre utilisateur sélectionné "dn" et de la valeur horaire. Ensuite, tenez l'interrupteur (R) enfoncé durant 5 secondes. Après 5 secondes, l'écran n'affiche plus que "dn". Relâchez ensuite l'interrupteur. En

enfonçant brièvement l'interrupteur, la valeur du compteur peut être abaissée par paliers de 500 heures à partir de 9.000 jusqu'à une valeur minimale de 0000. Sur l'écran, la valeur abaissée et "dn" clignotent successivement. Lorsque la valeur voulue est sélectionnée, attendez 10 secondes. Après 10 secondes, la valeur sélectionnée s'affiche sur l'écran et le compte à rebours commence. Si, durant l'abaissement de la valeur horaire par exemple, une erreur est commise, il est possible de remettre la valeur du compteur horaire sur 9.000 en maintenant l'interrupteur enfoncé durant 5 secondes. La valeur horaire repasse alors à 9.000 et une nouvelle valeur peut être réglée.

Le compteur horaire indique comme suit que le remplacement de la lampe s'impose :

- Dès la valeur horaire 0672, l'écran clignote chaque seconde. La lampe doit être remplacée dans 4 semaines.
- Dès la valeur horaire 0336, l'écran clignote chaque demi-seconde. La lampe doit être remplacée dans les 2 semaines.
- Dès la valeur horaire 0168, l'écran clignote chaque seconde. La lampe doit être remplacée dans la semaine.
- À la valeur horaire 0000, les chiffres clignotent rapidement et le compte à rebours est terminé. La lampe doit être remplacée.

MAINTENANCE / DÉMONTAGE

Débranchez toujours l'alimentation électrique pendant la maintenance ou le démontage de l'appareil.

L'appareil doit être nettoyé au moins deux fois par an. Lorsqu'il y a une quantité significative de croissance d'algues et / ou d'accumulation de chaux dans l'unité, le manchon de quartz (S) doit être nettoyé, principalement avec de l'eau mélangée à du savon et du vinaigre blanc (ne pas grattez).

La lampe spéciale doit être remplacée une fois le nombre d'heures de fonctionnement écoulé soit toutes les 4500 heures. L'intérieur du réacteur peut être nettoyé avec de l'eau savonneuse avec une éponge douce.

1. Videz l'eau de l'appareil.
2. Dévissez l'écrou (U) et retirez la lampe (V) du raccord (T). Retirez la lampe du verre de quartz (S) et remplacez la lampe (V) si nécessaire. La prudence est de mise car ce sont des pièces très fragiles (Verre).
3. Dévissez l'écrou (Z) en bas. Et retirez le capuchon d'extrémité (F) (Figure 13).
4. Retirez délicatement le verre de quartz (S) en desserrant d'abord l'écrou (G) en bas, puis en retirant le verre en quartz délicatement par le haut, puis enlevez le joint torique (D) et la bague coulissante (H) par le bas (voir figures 13 à 16). Ne forcez jamais! REMARQUE: Portez toujours des gants et des lunettes de protection.
5. Nettoyez le verre de quartz (S) avec de l'eau savonneuse mélangée à du vinaigre blanc. Utilisez toujours un chiffon doux pour le nettoyer, évitez les rayures (figure 17).
REMARQUE: La connexion de la gaine quartz ne peut et ne doit pas être démontée. Les tentatives de démontage peuvent entraîner des fuites, des bris de verre ou des blessures. Les dommages causés à l'appareil UV-C suite au démontage ne sont pas couverts par la garantie.

6. 6. Remettre la gaine quartz (S) dans le générateur en insérant d'abord le quartz (S) dans le réacteur. Faites ensuite glisser le joint torique (D) sur le verre en bas, puis la bague coulissante (H). Puis tournez l'écrou (G) en bas en le serrant à la main (figures 18 à 20). Ne forcez jamais!
REMARQUE: Portez toujours des gants et des lunettes de protection.
7. 7. Remettre le capuchon d'extrémité (F) sur le réacteur. Revisser l'écrou (Z) sur le générateur (Figure 20).
8. 8. Remplacez soigneusement la lampe dans la gaine quartz, remplacez le joint torique (Y) sur le quartz et connectez la lampe (V) au support de lampe (T). Revissez l'écrou (U) sur le boîtier (figure 21).

Si le coffret électrique doit être remplacé, la mise à la terre doit d'abord être déconnectée. Lors de l'installation d'un nouveau coffret, veuillez d'abord lire le chapitre Installation et démontage. Assurez-vous que les différentes pièces détachées de la mise à la terre sont correctement stockées. Ceux-ci ne sont pas fournis avec un nouveau coffret. En cas de doute sur l'installation, consultez un installateur agréé.

**Pour les instructions de sécurité et les conditions de garantie,
veuillez consulter le manuel général UV-C de VGE B.V.**



Leest u voor het installeren van dit apparaat eerst zorgvuldig deze gebruiksaanwijzing.

OPERATIE:

Binnenin de reactor produceert een UV-ozonlamp straling met een golflengte van 253,7 nm. Dergelijke straling onderdrukt bacteriën, virussen, algen en schimmels (bijv. Legionella en Cryptosporidium). Het UV-Ozon apparaat produceert op een efficiënte en milieuvriendelijke manier schoon, gezond en helder water.

U installeert het UV-ozonapparaat "AOP Compact Ozone & UV-C 75W 2.0" op het circulatiecircuit van uw zwembad. Geïnstalleerd door een pomp, wordt het water door de aangedreven ozon-UV-C generator geleid. Door de druk van het water in de reactor wordt de omgevingslucht in de technische ruimte door het Venturi-systeem gezogen. De luchtstroom wordt in de unit gezogen via de klep die op het apparaat is geïnstalleerd en circuleert in de kwartshuls tussen de binnenwand en de AOP Compact Ozone & UV-C lamp. De lamp heeft een dubbele functie en produceert tegelijkertijd ozon en UV-C straling. Doordat er constant lucht circuleert in contact met de lamp, wordt ozon geproduceerd door de speciale AOP Compact Ozone & UV-C lamp, die (circa) 0,6 gram ozon per uur produceert.

Na het passeren van de venturi wordt de ozon vervolgens gemengd met het water in de lus. Hier vindt oxidatie plaats en vindt een krachtig desinfectieproces plaats. Het water-ozon mengsel wordt dan blootgesteld aan UV-C straling van de lamp, maar dit keer buiten de kwartshuls. UV-C breekt de ozon af die in het water achterblijft en zet het om in OH- (hydroxylradicalen) die een zeer hoog oxidatiepotentieel hebben.

De lamp heeft een dubbele functie van ozon: het produceert het en vernietigt het vervolgens met UV-C-licht. Ozon in water wordt door het UV-C apparaat direct na het passeren van de UV-C generator afgebroken.



LET OP:

Leest u voor het installeren van dit apparaat eerst zorgvuldig deze gebruiksaanwijzing.

 <p>Zorg altijd voor een correcte aarding. Bij twijfel over de aarding of de elektrotechnische installatie in het algemeen, altijd een erkend elektrotechnisch monteur raadplegen. Ondeugdelijke aarding kan gevaarlijk zijn, en/of leiden tot corrosie van RVS of aluminium reactoren.</p>	 <p>Het is niet toegestaan om een vloeistof door de reactor te laten stromen, of toevoegingen aan het te behandelen water te doen, welke een negatief effect kunnen hebben op corrosie of degradatie van de gebruikte materialen. Dit, om gevaarlijke situaties en schade aan de reactor en omliggende installaties en/of flora en fauna te voorkomen.</p>
 <p>Straling van deze ultraviolet lamp is gevaarlijk voor ogen en huid.</p>	 <p>Bij onderhoud het apparaat altijd eerst spanningsvrij maken! Risico op elektrische schokken. Sluit alleen aan op een geaard type contactdoos beschermd door een aardlekschakelaar (ALS). Gebruik geen verlengsnoer.</p>
 <p>Het kwartsglas en de UV-C lamp blijven nog geruime tijd warm nadat het apparaat is uitgeschakeld. Afkoeltijd minimaal 15 minuten.</p>	 <p>Draag handschoenen om de kwartsglas en de UV-C lamp te beschermen tegen vingerafdrukken. Vingerafdrukken kunnen inbranden in het kwartsglas en de UV-C lamp tijdens de werking, waardoor de desinfectie minder wordt aangetast.</p>

 <p>De UV-C lamp mag nooit branden wanneer er geen flow is.</p>	 <p>Draag een veiligheidsbril tijdens onderhoud en installatie.</p>
 <p>Bij een hoge concentratie kan ozon giftig zijn. Smog veroorzaakt door ozon kan de longen en slijmvliezen van mens en dier beschadigen. Inademing kan ziekte veroorzaken. Reukbare ozon moet als hoge concentratie worden beschouwd.</p>	

AARDINGSINSTALLATIE (AFBEELDING 22)

1. Voordat de kunststof trekontlasting (4) op de aardingsbout (1) wordt aangebracht, trekt u eerst de kabel (2) door de trekontlasting (4). Plaats de trekontlasting (4) ongeveer 10 cm van het oog (2) van de aardingskabel.
2. Plaats het oog (2) van de kabel over de aardingsbout die aan de behuizing is bevestigd.
3. Plaats vervolgens een kartelring (3).
4. Bevestig de trekontlasting (4) om een lus van Ø5 cm te creëren.
5. Plaats tot slot de tweede kartelring (5) en de borgmoer (6) op de aardingsbout.
6. Nadat de onderdelen in de juiste volgorde op de aardingsbout zijn geplaatst, kan deze worden vastgedraaid met een 8 mm steeksleutel of ringsleutel..

INSTALLATIE VAN HET APPARAAT (ZIE TEKENING 3)

Bepaal waar u het apparaat wilt monteren. Installeer de UV-C unit nooit na de pH-controller, chloordispenser of zoutelektrolyse-installatie in de zwembadinstallatie. De beste plaats om het apparaat te installeren is direct na het filter. Zie het schematische diagram in de bedieningshandleiding. Zorg ervoor dat er altijd water door het apparaat stroomt als de lamp brandt. Installeer het apparaat nooit in direct zonlicht. Installeer het apparaat in een droge, goed geventileerde ruimte. Het apparaat kan zowel horizontaal als verticaal worden geïnstalleerd, op voorwaarde dat de waterstroom van onder naar boven is (zie schematisch diagram aan het begin van de gebruiksaanwijzing), met 30 cm vrije ruimte aan de tegenoverliggende zijde van de lampaansluiting voor de toekomst onderhoud. Er moet ten minste één meter vrije ruimte aan de zijkant met de lampaansluiting worden gelaten voor een gemakkelijke toekomstige vervanging van de lamp (K) zonder het hele apparaat los te koppelen.

LET OP: alle aansluitingen en koppelingen dienen handvast te worden aangedraaid, zonder gereedschap. Dit om schade te voorkomen.

1. Verwijder de moer (X1) van de onderkant van de reactor (Figuur 1).
2. Plaats de moer (X1) over de uitlaat van de venturi. Lijm de adapter (K1) in de lijmkoppeling (J1) met de draadzijde eerst. Lijm vervolgens de venturi (A) op de adapter met lijmkoppeling. Laat de gelijkjme objecten 8 uur verdampen (afbeelding 2).
3. Controleer of de O-ring (W1) nog in het apparaat zit. Monteer het venturisysteem bij de onderste ingang van de reactor (Figuur 3).
4. Draai de moer (X2) los van de bovenkant van de reactor, aan de kant die je als uitgang wilt gebruiken. Bevestig de lijmkoppeling (J2) aan de bovenkant van de reactor en draai vervolgens

- de moer (X2) weer vast. Sluit de andere kant af door de moer (X2) los te draaien, plaats de blindplaat (R) op de reactor en schroef de moer (X2) terug. (Figuur 4).
5. Het apparaat kan op 3 verschillende manieren op de rest van de leidingen worden aangesloten. 63 mm, 50 mm en 1,5 "binnendraad.
 - 5a. Sluit de unit aan op buis 50 mm. Lijm de adapter (K2) met de schroefdraad naar het toestel toe in de lijmkoppeling (J2). Lijm de buis in de adapter (K2). Verwijder de moer (X2) en laat de gelijmde voorwerpen 8 uur verdampen. Bevestig de gelijmde voorwerpen op de unit (figuur 5a).
 - 5b. Sluit de unit aan op een 63 mm 2 "pijp. Lijm de buis in de lijmkoppeling (J2). Verwijder de moer (X2) en laat de gelijmde voorwerpen 8 uur verdampen. Bevestig de gelijmde objecten aan de unit (figuur 5b).
 - 5c. Sluit de unit aan op de 1,5 "schroefdraadbuis (niet meegeleverd). Draai de adapter (K2) met de hand op de buis vast. Lijm de adapter (K2) in de lijmkoppeling (J2). Verwijder de moer (X2) en laat de gelijmde voorwerpen 8 uur verdampen. Bevestig de gelijmde objecten op de unit (figuur 5c).
 6. Verwijder de 3-delige koppeling van de venturi. Plaats de montagering over de buis en lijm de aansluiting op de buis vast. Laat de gelijmde delen 8 uur verdampen. Bevestig vervolgens de venturi (A) aan de buis (Figuur 9).
 7. Monteer nu het complete apparaat inclusief venturisysteem op de gewenste locatie tussen de leidingen. Bevestig de unit met de meegeleverde buisklemmen.
 8. Monteer de manometer (M) op de venturi. Gebruik hiervoor teflon tape (niet meegeleverd). Draai de manometer met de hand vast (afbeelding 10).
 9. Draai de moer (U) bovenaan los en verwijder de fittinghouder (T) (foto 6).
 10. Steek de lamp (V) gedeeltelijk in het kwartsglas (S) en sluit de lamp aan op de fittinghouder (T). Schuif vervolgens de lamp met fittinghouder volledig in het kwartsglas totdat deze goed op de O-ring (Y) past. Draai vervolgens de moer vast (afbeelding 8).
 11. Neem de buis met de terugslagklep (C). Bevestig het korte stuk slang aan de onderkant van het apparaat op de slangpilaar (F). Plaats het langste stuk slang op de adapter (L) van het venturisysteem (Figuur 11).
 12. Schroef de eindkap (F) aan de onderkant van de reactor los. Start de pomp en controleer het systeem op doorstroming en lekkage. Schakel vervolgens de pomp weer uit. Schroef de eindkap (F) van de moer (Z) terug op de reactor.
 13. Schakel de pomp weer in. Sluit het UV-C-apparaat aan op een stopcontact met een beschermende aardgeleider. Controleer of de lamp (V) brandt door de transparante uitlaat (X) van de unit (figuur 23).
 14. De hoeveelheid ozonlucht in het systeem kan worden geregeld door de kogelkraan (B). Hoe strakker de kogelkraan is, hoe meer lucht met ozon het systeem binnenkomt. De ideale positie op de manometer is 0,4 tot 0,7 bar.

GEBRUIKSAANWIJZING DIGITALE URENTELLER

Als het UV-C apparaat wordt ingeschakeld gaat het programma zichzelf controleren. Het display geeft de volgende indicaties automatisch en elkaar: 8888 (display test) ; r en software versie nummer ; 50H of 60H

indicatie van de netfrequentie. Daarna springt het display op de tellerstand.

Als de UV-C lamp voor het eerst is ingeschakeld of nadat de "reset" functie is gebruikt, zal de waarde 9.000 in het display verschijnen. Bij het meest rechtse cijfer op het display knippert elke seconde een punt wat aangeeft dat de teller loopt. Het display staat automatisch op de door de fabriek ingestelde tellerstand van 9.000 uur. Tot 9.000 uur heeft de UV-C lamp zijn werkende straling. Na 9.000 uur zwakt de straling af. De straling kan dan onvoldoende zijn om tot de gewenste resultaten te komen. Indien de UV-C lamp al langer in gebruik is en deze al eens eerder ingeschakeld is geweest, zal het display na het inschakelen de waarde weergeven die de hij had voordat de UV-C lamp werd uitgeschakeld. Indien de stand van de urenteller zelf wordt verhoogd of verlaagd dan wordt de laatste tellerstand weergegeven die het display had voordat hij werd uitgeschakeld.

De instellingen van de urenteller kunnen indien gewenst worden gewijzigd. Dit kan als volgt gedaan worden: Na het 5 seconden ingedrukt houden van de schakelaar (R) onder het display geeft het display "rSt" aan ter indicatie dat het gebruikersmenu geselecteerd is. Na het loslaten van de schakelaar (R) knipperen de tellerstand en "rSt" afwisselend op het display. Door hierna de schakelaar kort in te drukken wordt door de mogelijkheden van het menu gestapt. Er zijn 3 instelmogelijkheden in het menu "rSt", "up" en "dn".

"rSt" betekent (reset): hiermee gaat de tellerstand terug naar de fabrieksinstellingen van 9.000 uur. Deze selectie wordt bevestigd doordat de tellerstand en "rSt" in het display afwisselend knipperen. Als de schakelaar (R) 5 seconden wordt ingehouden, waarna de tellerstand 9.000 wordt weergegeven, en vervolgens wordt losgelaten, begint de urenteller terug te tellen vanaf de waarde 9.000 uur. Deze keuze wordt gebruikt wanneer er bijvoorbeeld een lamp vervangen is of wanneer de tellerstand is gewijzigd en deze weer terug naar de fabrieksinstellingen moet worden gezet.

- "up" betekent (up): hiermee kan de tellerstand verhoogd worden naar de door u gewenste urenstand. Deze selectie wordt bevestigd doordat de gekozen gebruikersinstelling "up" en de tellerstand in het display afwisselend knipperen. Houd daarna de schakelaar (R) 5 seconden in. Op het display blijft na 5 seconden alleen nog "up" in beeld staan. Laat de schakelaar vervolgens los. Door de schakelaar kort in te drukken kan de tellerwaarde vanaf 9.000 in stappen van 500 uur verhoogd worden tot een maximale waarde van 9.999. De verhoogde waarde knippert afwisselend met "up" op het display. Indien de gewenste urenstand is geselecteerd wacht u 10 seconden. Na 10 seconden springt de geselecteerde urenstand in beeld en het terugtellen van de timer is gestart. Indien er tijdens het verhogen van de tellerstand bijvoorbeeld een vergissing is gemaakt dan kan de teller weer terug gezet worden naar 9.000 door de schakelaar 5 seconden in te houden. De tellerwaarde wordt dan gereset naar 9.000 en er kan een nieuwe waarde worden ingesteld.
- "dn" betekent (down): hiermee kan de tellerstand verlaagd worden naar de gewenste urenstand. Deze selectie wordt bevestigd doordat de gekozen gebruikersinstelling "dn" en de tellerstand in het display afwisselend knipperen. Daarna dient de schakelaar (R) 5 seconden ingehouden te worden. Op het display blijft na 5 seconden alleen nog "dn" in beeld staan. Laat vervolgens de schakelaar los. Door de schakelaar kort in te drukken kan de tellerwaarde vanaf 9.000 in stappen van 500 uur verlaagd

worden tot een minimale waarde van 0000. De verlaagde waarde knippert afwisselend met "dn" op het display. Indien de gewenste urenstand is geselecteerd wacht u 10 seconden. Na 10 seconden springt de geselecteerde tellerwaarde in beeld en het terugtellen van de timer is gestart. Indien er tijdens het verlagen van de tellerstand bijvoorbeeld een vergissing is gemaakt dan kan de teller weer terug worden gezet naar 9.000 door de schakelaar 5 seconden in te houden. De tellerwaarde wordt dan gereset naar 9.000 en er kan een nieuwe waarde worden ingesteld.

De urenteller geeft op de volgende manier aan dat de lamp vervangen moet worden:

- Vanaf urenstand 0672; display knippert om de seconde. De lamp dient over 4 weken vervangen te worden.
- Vanaf urenstand 0336; display knippert om de halve seconde. De lamp dient binnen 2 weken vervangen te worden.
- Vanaf urenstand 0168; display knippert om de seconde. De lamp dient binnen 1 week vervangen te worden.
- Bij een urenstand van 0000 blijven de cijfers snel knipperen en zal de teller niet meer verder terugtellen. De lamp dient vervangen te worden.

ONDERHOUD / DEMONTAGE

Ontkoppel altijd de stroomtoevoer tijdens onderhoud/demontage van het apparaat. Het apparaat moet minimaal twee keer per jaar worden schoongemaakt. Als er een aanzienlijke hoeveelheid algengroei en/of kalkafzetting in de unit is, moet de kwartshuls (S) worden gereinigd. De speciale lamp moet worden vervangen nadat het aantal bedrijfsuren is verstreken. De binnenkant van de reactor kan worden schoongemaakt met een zachte borstel.

1. Tap het water uit het apparaat af.
2. Draai de moer (U) los en verwijder de lamp (V) van de fitting (T). Haal de lamp uit het kwartsglas (S) en vervang de lamp (V) indien nodig. Voorzichtigheid is geboden, aangezien dit zeer kwetsbare onderdelen zijn.
3. Draai de moer (Z) aan de onderkant los. En verwijder de eindkap (F) (Figuur 13).
4. Verwijder voorzichtig het kwartsglas (S) door eerst de moer (G) aan de onderkant los te draaien en vervolgens het kwartsglas van bovenaf uit te pakken en vervolgens de o-ring (D) en schuifring (H) van onderaf te verwijderen (zie figuur 13 tot 16). Forceer nooit! OPMERKING: draag altijd beschermende handschoenen en een bril.
5. Reinig het kwartsglas (S) met een geschikt middel. Gebruik altijd een zachte doek om het glas schoon te maken, voorkom krassen (figuur 17). OPMERKING: De kwartsglasverbinding kan en mag niet worden gedemonteerd. Demontagepogingen kunnen leiden tot lekkage, glasbreuk of persoonlijk letsel. Schade aan het UV-C apparaat als gevolg van demontage valt niet onder de garantie.
6. Plaats het kwartsglas (S) terug in de reactor door eerst het kwartsglas (S) in de reactor te plaatsen. Schuif vervolgens de O-ring (D) aan de onderkant over het glas en vervolgens de schuifring (H). Draai vervolgens de moer (G) onderaan terug, handvast (figuur 18 t / m 20). Forceer nooit! OPMERKING: draag altijd beschermende handschoenen en een bril.

7. Plaats de eindkap (F) terug op de reactor. Draai de moer (Z) weer op de reactor (Figuur 20).
8. Plaats de lamp voorzichtig terug in het kwartsglas, vervang de O-ring (Y) op het kwartsglas en sluit de lamp (V) aan op de lamphouder (T). Draai de moer (U) weer op de behuizing (figuur 21).

Als de behuizing of het elektrische gedeelte moet worden vervangen, moet eerst de aarding van de behuizing worden losgekoppeld. Lees bij het installeren van een nieuwe behuizing of elektrisch onderdeel eerst het hoofdstuk Installatie en demontage. Zorg ervoor dat de verschillende losse onderdelen van de aarding op de juiste manier worden opgeborgen. Deze worden niet bij een nieuwe behuizing of elektrisch onderdeel geleverd. Raadpleeg bij twijfel over de aansluiting een erkende installateur.

Voor de veiligheidsinstructies en garantievoorwaarden verwijzen we u naar de algemene UV-C handleiding van VGE B.V.



Antes de instalar este aparato se deberán leer detenidamente las presentes instrucciones.

OPERACIÓN:

Dentro del reactor, una lámpara de UV-Ozono produce radiación con una longitud de onda de 253,7 nm. La radiación de este tipo suprime bacterias, virus, algas y hongos (por ejemplo, Legionella y Cryptosporidium). El dispositivo UV-Ozono produce agua limpia, saludable y clara de una manera eficiente y respetuosa con el medio ambiente.

Instale el dispositivo de ozono UV "AOP Compact Ozono & UV-C 75W 2.0" en el circuito de circulación de su piscina. Instalado por una bomba naval, el agua pasa a través del generador de ozono UVc accionado. Debido a la presión del agua en el reactor, el aire ambiente de la sala técnica se aspira a través del sistema Venturi. El flujo de aire se introduce en la unidad a través de la válvula instalada en el dispositivo y circula en la manga de cuarzo entre su pared interna y la lámpara AOP Compact Ozono & UV-C. La lámpara tiene una doble función, produciendo ozono y radiación UV-C al mismo tiempo. Debido a que el aire circula constantemente en contacto con la lámpara, el ozono es producido por la lámpara especial AOP Compact Ozono & UV-C, que produce 0.6 gramos de ozono por hora (aproximadamente).

Después de pasar el venturi, el ozono se mezcla con el agua en el circuito. Aquí tiene lugar la oxidación y se lleva a cabo un potente proceso de desinfección. La mezcla de agua y ozono se expone luego a la radiación UV-C de la lámpara, pero esta vez fuera de la manga de cuarzo. El UV-C descompone el ozono que queda en el agua, transformándolo en OH- (radicales hidroxilo) que tienen un potencial de oxidación muy alto.







La lámpara tiene una doble función de ozono, producirlo y luego destruirlo con luz UV-C. El dispositivo UV-C descompone el ozono en el agua inmediatamente después de pasar el generador de UVc.




ES



ATENCIÓN:

Lea atentamente estas instrucciones antes de instalar el dispositivo.

 <p>Asegúrese siempre de tener la conexión de toma a tierra correcta. En caso de cualquier duda sobre la instalación electrotécnica en general, consulte siempre a un mecánico electrotécnico autorizado. Si la conexión de toma a tierra está defectuosa puede resultar peligrosa y/o llevar a la corrosión de los reactores de aluminio o de acero inoxidable.</p>	 <p>No está permitido derramar líquidos a través del reactor o agregar añadidos al agua que tiene que ser tratada. Esto puede causar un efecto negativo, resultante en corrosión o degradación de los materiales que se están usando. Siga estas indicaciones para evitar situaciones peligrosas o que se dañe el reactor y las instalaciones a su alrededor y/o la flora y la fauna.</p>
 <p>La radiación de esta lámpara ultravioleta es peligrosa para los ojos y la piel.</p>	 <p>¡Liberar siempre primero el dispositivo de tensión durante el proceso de mantenimiento! Riesgo de descarga eléctrica. Conectar sólo a un receptáculo de tipo toma a tierra protegido por un interruptor de circuito con descarga a tierra (GFCI). No usar un cable de extensión eléctrica.</p>
 <p>El vidrio de cuarzo y la lámpara UV-C mantendrán su calor durante bastante tiempo después de que el dispositivo se haya apagado. Tiene un tiempo de enfriamiento mínimo de 15 minutos.</p>	 <p>Use guantes para proteger el vidrio de cuarzo y la lámpara UV-C de huellas. Las huellas pueden quemarse sobre el cristal de cuarzo y la lámpara UV-C mientras esté encendida, provocando una reducción en la desinfección.</p>

 <p>La lámpara UV-C nunca se debe encender si no hay flujo.</p>	 <p>Use gafas de seguridad durante la instalación y el mantenimiento.</p>
 <p>En altas concentraciones, el ozono puede ser tóxico. El smog causado por el ozono puede dañar los pulmones y las membranas mucosas de humanos y animales. La inhalación puede provocar enfermedades. El ozono oloroso debe considerarse como de alta concentración.</p>	

INSTALACIÓN DE LA TOMA DE TIERRA (FIGURA 22)

1. Antes de colocar el protector plástico (4) en el perno de tierra (1), tire primero del cable (2) a través del protector (4). Coloque el protector (4) a unos 10 cm del anillo (2) del perno de tierra.
2. Coloque la argolla del cable (2) encima del perno de tierra que está unido al armazón.
3. Coloque la arandela dentada (3).
4. Conecte el protector (4) para crear un arco de $\varnothing 5$ cm.
5. Finalmente, coloque la segunda arandela dentada (5) y la contratuerca (6) en el perno de tierra.
6. Una vez todas las piezas hayan sido colocadas en el perno de tierra en su debido orden, se puede ajustar con una llave fija o una llave corona de 8 mm.

INSTALACIÓN DEL DISPOSITIVO (VER ILUSTRACIÓN 3)

Decida dónde desea montar el dispositivo. En la instalación de la piscina, nunca emplace la unidad UV-C después del controlador de pH, del dispensador de cloro o del sistema de electrólisis de sal. El mejor lugar para instalarlo es directamente después del filtro. Consulte la ilustración esquemática de las instrucciones de uso. Asegúrese de que siempre haya agua fluyendo por el dispositivo cuando la lámpara está encendida. Nunca instale el dispositivo bajo luz solar directa. Instálelo en una zona seca y bien ventilada. El dispositivo puede instalarse horizontal o verticalmente, siempre que el flujo del agua sea de abajo a arriba (vea la ilustración esquemática del principio de las instrucciones de uso), con 30 cm de espacio libre en el lado opuesto a la conexión de la lámpara para su futuro mantenimiento. Para evitar tener que desconectar el dispositivo entero cuando la lámpara (K) se tenga que sustituir, deje al menos un metro de espacio libre en el lateral de la conexión.

PRECAUCIÓN: Todas las conexiones y acoplamientos deben ser ajustados usando la mano. No los ajuste con herramientas. De lo contrario, se podrían dañar.

1. Quite la tuerca (X1) de la parte inferior del reactor (figura 1).
2. Coloque la tuerca (X1) sobre la salida del Venturi. Pegue el adaptador (K1) en el acople de cola (J1) con el lado de la rosca primero. Luego pegue el Venturi (A) al adaptador con el acople de cola. Deje que los objetos pegados se sellen durante 8 horas (imagen 2).
3. Compruebe si la junta tórica (W1) todavía está en la unidad. Monte el sistema Venturi en la entrada inferior del reactor (figura 3).
4. Desenrosque la tuerca (X2) de la parte superior del reactor en el lado que desee usar como salida. Coloque

- el acople de cola (J2) en la parte superior del reactor y vuelva a apretar la tuerca (X2). Tape el otro lado aflojando la tuerca (X2), coloque la placa ciega (R) en el reactor y vuelva a enroscar la tuerca (X2) (figura 4).
5. El dispositivo se puede conectar al resto de la tubería de tres formas diferentes según el tamaño de las roscas interiores de 50 mm, 63 mm y 1,5":
 - 5a. 5.a Conecte la unidad a la tubería de 50 mm. Pegue el adaptador (K2) con la rosca hacia la unidad en el acople de cola (J2). Pegue el tubo en el adaptador (K2). Retire la tuerca (X2) y deje que los objetos pegados se sellen durante 8 horas. Una los objetos pegados a la unidad (figura 5a).
 - 5b. 5.b Conecte la unidad a un tubo de 63 mm 2". Pegue el tubo en el acople de cola (J2). Retire la tuerca (X2) y deje que los objetos pegados se sellen durante 8 horas. Una los objetos pegados a la unidad (figura 5b).
 - 5c. 5.c Conecte la unidad al tubo roscado de 1,5" (no incluido). Ajuste con la mano el adaptador (K2) en la tubería. Pegue el adaptador (K2) en el acople de cola (J2). Retire la tuerca (X2) y deje que los objetos pegados se sellen durante 8 horas. Una los objetos pegados a la unidad (figura 5c).
 6. Retire el acoplamiento de 3 partes del Venturi. Coloque el anillo de montaje encima de la tubería y enganche la conexión a la tubería. Deje que las partes pegadas se sellen durante 8 horas. Luego conecte el Venturi (A) en la tubería (figura 9).
 7. Ahora monte el dispositivo completo, incluido el sistema Venturi, entre las tuberías en la ubicación deseada. Fije la unidad con las abrazaderas de tubo suministradas.
 8. Monte el manómetro (M) en el Venturi. Para ello, utilice cinta de teflón (no incluida). Ajuste el manómetro con la mano (figura 10).
 9. Afloje la tuerca (U) en la parte superior y retire el portalámparas (T) (figura 6).
 10. Inserte parcialmente la lámpara (V) en el tubo de cuarzo (S) y conecte la lámpara al portalámparas (T). Inserte la lámpara con el portalámparas en el tubo de cuarzo completamente hasta que encaje bien en la junta tórica (Y). Luego ajuste la tuerca (figura 8).
 11. Tome el tubo con la válvula de retención (C). Conecte la sección corta de la manguera a la parte inferior del aparato en la cola de la manguera (F). Coloque la sección más larga de tubería en el adaptador (L) del sistema Venturi (figura 11).
 12. Desensrosque la tapa del extremo (F) en la parte inferior del reactor. Encienda la bomba y verifique que el sistema no tenga flujo ni fugas. Vuelva a apagar la bomba. Enrosque la tapa del extremo (F) de la tuerca (Z) en el reactor nuevamente.
 13. Encienda la bomba de nuevo. Conecte el dispositivo UV-C a una toma de corriente con un conductor de protección. Compruebe que la lámpara (V) esté encendida a través de la salida transparente (X) del equipo (figura 23).
 14. Mediante la válvula de bola (B) se puede controlar la cantidad de aire con ozono del sistema. Cuanto más apretada esté la válvula de bola, más aire con ozono entrará en el sistema. La posición ideal del manómetro es de 0,4 a 0,7 bar.

INSTRUCCIONES PARA EL USO DEL CONTADOR DIGITAL DE HORAS

Cuando el dispositivo UV-C está encendido, el programa realiza una prueba de autodiagnóstico. La pantalla muestra automáticamente las siguientes indicaciones (por este orden): 8888 (prueba de

visualización); r y el número de versión de software; indicación de la frecuencia de red de 50 Hz o 60 Hz. A continuación, la pantalla cambia al modo de contador de horas.

Cuando la lámpara UV-C se enciende por primera vez o después de reiniciarla, aparece en pantalla el valor 9.000. Al lado del dígito que queda más a la derecha parpadea un punto decimal cada segundo que indica que el contador está funcionando. La pantalla se ajusta automáticamente a la lectura del contador digital de horas fijada en fábrica de 9.000 horas. Después de 9.000 horas la radiación disminuye. La radiación puede ser entonces insuficiente para conseguir los resultados deseados. Si la lámpara UV-C ha sido usada durante algún tiempo y se ha encendido antes, cada vez que se encienda se mostrará en pantalla el valor que tenía antes de apagarse. Si el contador de horas aumenta o disminuye, se mostrará la lectura que tenía antes de apagarse.

Si lo desea, puede cambiar los ajustes del contador de horas. Esto se puede hacer de la siguiente manera: después de mantener presionado el interruptor (R) situado debajo de la pantalla durante 5 segundos, la pantalla mostrará "rSt" para indicar que el menú de usuario ha sido seleccionado. Al dejar de presionar el interruptor (R), el contador y el "rSt" se alternarán en la pantalla. A partir de ahora, cada vez que presione brevemente el botón, aparecerán las opciones del menú en pantalla. Hay tres opciones de configuración en el menú: "rSt", "up" y "dn".

- "rSt" significa "reinicio" (reset): Esta opción reinicia el contador digital de 9.000 horas fijado en fábrica. La selección se confirma cuando el contador y el "rSt" se alternan en pantalla. Si el interruptor (R) se presiona durante 5 segundos, aparecerá la lectura del medidor a 9.000 horas en la pantalla, después deje de presionar, y el contador empezará a contar desde 9.000 horas. Esta opción se utiliza, por ejemplo, cuando se sustituye la lámpara o cuando se cambia el modo del contador y se debe restablecer a los ajustes de fábrica.
- "up" significa "arriba": Esta opción permite aumentar la lectura del contador de horas al valor deseado. Cuando seleccione la opción "up", la lectura del contador de horas parpadeará en pantalla. Ahora mantenga pulsado el interruptor (R) durante 5 segundos. Pasados los 5 segundos, solo aparecerá "up" en pantalla. Deje de pulsar el interruptor. Para aumentar el valor del contador de 9.000 horas en segmentos de 500 horas hasta un valor máximo de 9.999, presione brevemente el interruptor. En la pantalla verá que se alterna el valor aumentado y el "up". Una vez seleccionada la lectura de la hora deseada, espere 10 segundos. Transcurridos los 10 segundos, la lectura del medidor de horas seleccionada aparecerá en pantalla y comenzará la cuenta atrás del temporizador. En caso de haber cometido un error al aumentar la lectura del contador de horas, esta se puede restablecer de nuevo a 9.000 horas manteniendo pulsado el interruptor durante 5 segundos. Una vez se haya reestablecido el contador a 9.000 ya se puede introducir el nuevo valor deseado.
- "dn" significa "abajo" (down): Esta opción permite disminuir la lectura del contador de horas al valor deseado. Cuando seleccione la opción "dn", la lectura del contador de horas parpadeará en pantalla. Mantenga pulsado el interruptor (R) durante 5 segundos. Pasados los 5 segundos,

aparecerá en la pantalla "dn". Deje de pulsar el interruptor. Presione ligeramente el interruptor para disminuir el valor del contador de 9.000 horas en segmentos de 500 horas hasta el valor mínimo de 0000. En la pantalla verá que se alterna el valor disminuido y el "dn". Una vez seleccionada la lectura de la hora deseada, espere 10 segundos. Transcurridos los 10 segundos, la lectura del medidor de horas seleccionada aparecerá en pantalla y comenzará la cuenta atrás del temporizador. En caso de haber cometido un error al disminuir la lectura del contador de horas, esta se puede restablecer a 9.000 horas manteniendo pulsado el interruptor durante 5 segundos. Una vez se haya reestablecido el contador a 9.000 ya se puede introducir el nuevo valor deseado..

El contador de horas indica que la lámpara debe ser reemplazada de la siguiente manera:

- Cuando la lectura del contador llega a 0672, la pantalla parpadea cada segundo. La lámpara debe ser sustituida dentro de 4 semanas.
- Cuando la lectura del contador llega a 0336, la pantalla parpadea cada medio segundo. La lámpara debe ser sustituida dentro de 2 semanas.
- Cuando la lectura del contador llega a 0168, la pantalla parpadea cada segundo. La lámpara debe ser sustituida dentro de una semana.
- Cuando la lectura del contador llega a 0000, la pantalla parpadea rápidamente y el contador deja de contar. La lámpara debe ser sustituida.

MANTENIMIENTO/DESMONTAJE

Desconecte siempre la fuente de alimentación durante el mantenimiento/desmontaje del dispositivo. El dispositivo debe limpiarse por lo menos dos veces al año. Limpie el tubo de cuarzo (S) cuando haya una cantidad importante de algas y/o mucha acumulación de cal en la unidad. Sustituya la lámpara especial cuando haya transcurrido su número de horas en funcionamiento. Puede limpiar el interior del reactor con un cepillo suave.

1. Deje que el agua salga del dispositivo.
2. Desenrosque la tuerca (U) y retire la lámpara (V) del portalámparas (T). Retire la lámpara del tubo de cuarzo (S) y reemplace la lámpara (V) si es necesario. Se aconseja hacerlo con precaución ya que son piezas muy delicadas.
3. Desenrosque la tuerca (Z) en la parte inferior. Retire la tapa del extremo (F) (figura 13).
4. Retire cuidadosamente el tubo de cuarzo (S) aflojando primero la tuerca (G) en la parte inferior. Desempaque el tubo de cuarzo desde la parte superior y luego retire la junta tórica (D) y el anillo deslizante (H) desde abajo (ver las figuras de la 13 a la 16). ¡Nunca con fuerza! PRECAUCIÓN: Siempre use guantes y gafas protectoras.
5. Limpie el tubo de cuarzo con un limpiador apropiado. Para limpiarlo y evitar arañazos, utilice siempre un paño suave. NOTA: La conexión del tubo de cuarzo no puede ni debe desmontarse. Los intentos de desmontaje pueden provocar fugas, rotura de cristales o lesiones personales. La garantía no cubre los daños del dispositivo UV-C ocasionados por desmontajes.
6. Coloque el tubo de cuarzo (S) nuevamente en el reactor insertando el tubo de cuarzo (S) en

el reactor. Deslice la junta tórica (D) sobre el vidrio en la parte inferior y luego deslice el anillo deslizante (H). Después, gire la tuerca (G) hacia atrás en la parte inferior apretando con la mano (ver las figuras de la 18 a la 20). ¡Nunca con fuerza! PRECAUCIÓN: Siempre use guantes y gafas protectoras.

7. Recoloque la tapa del extremo (F) en el reactor. Vuelva a enroscar la tuerca (Z) en el reactor (figura 20).
8. Coloque cuidadosamente la lámpara en el tubo de cuarzo. Vuelva a colocar la junta tórica (Y) en el tubo de cuarzo y conecte la lámpara (V) en el portalámparas (T). Enrosque la tuerca (U) en el armazón (figura 21).

Si debe reemplazar el armazón o la sección eléctrica, desconecte primero la toma de tierra de la carcasa. Por favor lea la sección "Instalación y desmontaje" antes de instalar una nueva carcasa o sección eléctrica. Asegúrese de guardar las distintas partes por separado para la conexión a tierra. Estas no se incluyen en carcasas o secciones eléctricas nuevas. En caso de tener dudas acerca de su instalación, consulte a un instalador autorizado.

Las instrucciones de seguridad y las condiciones de garantía pueden consultarse en el manual general de la unidad UV-C de VGE B.V.



Leia atentamente as instruções de uso antes de instalar este aparelho.

OPERAÇÃO:

Dentro do reator, uma lâmpada UV-Ozônio produz radiação com comprimento de onda de 253,7 nm. A radiação deste tipo suprime bactérias, vírus, algas e fungos (por exemplo, Legionella e Cryptosporidium). O dispositivo UV-Ozone produz água limpa, saudável e límpida de forma eficiente e ecológica.

Você instala o dispositivo UV Ozone "AOP Compact Ozone & UV-C 75W 2.0" no circuito de circulação da sua piscina. Instalada por uma bomba naval, a água passa através do gerador elétrico Ozone UVc. Devido à pressão da água no reator, o ar ambiente da sala técnica é sugado pelo sistema Venturi. O fluxo de ar é puxado para dentro da unidade através da válvula instalada no dispositivo e circula na manga de quartzo entre sua parede interna e a lâmpada AOP Compact Ozone & UV-C. A lâmpada tem uma função dupla, produzindo ozônio e radiação UV-C ao mesmo tempo. Como o ar está constantemente circulando em contato com a lâmpada, o ozônio é produzido pela lâmpada especial AOP Compact Ozone & UV-C, que produz 0,6 gramas de ozônio por hora (aproximadamente).







Depois de passar pelo Venturi, o ozônio é então misturado à água no circuito. A oxidação ocorre aqui e um poderoso processo de desinfecção é executado. A mistura água-ozônio é então exposta à radiação UV-C da lâmpada, mas desta vez fora da luva de quartzo. O UV-C decompõe o ozônio remanescente na água, transformando-o em OH- (radicais hidroxila) que possuem um potencial de oxidação muito alto.




A lâmpada tem uma função dupla de ozônio, produzindo-o e destruindo-o com a luz UV-C. O ozônio na água é decomposto pelo dispositivo UV-C imediatamente após a passagem pelo gerador UVc.



CUIDADO:

Lea atentamente estas instrucciones antes de instalar el dispositivo.

 <p>Certifique-se de que a ligação à terra foi adequadamente executada. Em caso de dúvida quanto à ligação à terra ou à instalação eletrotécnica em geral, consulte sempre um electricista profissional. Uma ligação à terra inadequada pode ser perigosa e/ou causar corrosão nos reatores em aço inoxidável ou em alumínio.</p>	 <p>É proibido deixar escorrer um líquido pelo reator ou adicionar aditivos à água a ser tratada que possam aumentar a corrosão ou a degradação dos materiais utilizados. Isto para evitar situações perigosas e danos ao reator e às instalações circundantes e/ou a plantas e animais.</p>
 <p>Os raios desta lâmpada ultravioleta são perigosos aos olhos e à pele.</p>	 <p>Durante os trabalhos de manutenção desligar sempre da tomada a ficha de alimentação! Perigo de choque elétrico. Ligue somente a um recetáculo com ligação à terra protegido por um interruptor de circuito em caso de falha na terra (GFCI). Não use uma extensão.</p>
 <p>Depois de desligado, o vidro de quartzo e a lâmpada UV-C do aparelho permanecem quentes por algum tempo. O tempo de arrefecimento dura pelo menos 15 minutos.</p>	 <p>Use luvas para proteger o vidro de quartzo e a lâmpada UV-C contra impressões digitais. Quando ligados, as impressões digitais podem ficar queimadas no vidro de quartzo e na lâmpada UV-C causando uma redução da desinfecção.</p>

 <p>A lâmpada UV-C nunca deve ser ligada quando não houver fluxo.</p>	 <p>Use óculos de proteção durante os trabalhos de manutenção e a instalação.</p>
 <p>Em alta concentração, o ozônio pode ser tóxico. A poluição causada pelo ozônio pode danificar os pulmões e as membranas mucosas de humanos e animais. A inalação pode causar doenças. O ozônio com cheiro deve ser considerado como alta concentração.</p>	

INSTALAÇÃO DO ATERRAMENTO (FIGURA 22)

1. Antes de encaixar o redutor de tensão (4) no parafuso de aterramento (1), primeiro puxe o cabo (2) através do redutor de tensão (4). Coloque o redutor de tensão (4) a cerca de 10 cm do olhal (2) do cabo de aterramento.
2. Coloque o olhal (2) do cabo sobre o parafuso de aterramento que está preso à caixa.
3. Em seguida, coloque uma arruela de pressão serrilhada (3).
4. Prenda o redutor de tensão (4) para criar um laço de 5 cm de Ø.
5. Por fim, coloque a segunda arruela serrilhada (5) e a contraporca (6) no parafuso de aterramento.
6. Uma vez que as peças tenham sido colocadas no parafuso de aterramento na ordem correta, este pode ser apertado usando uma chave de 8 mm de tipo aberto ou de estrela.

INSTALAÇÃO DO DISPOSITIVO (VEJA AILUSTRAÇÃO 3)

Decida onde deseja montar o dispositivo. Na instalação da piscina, nunca instale a unidade UV-C após o controlador de pH, dispensador de cloro ou sistema de eletrólise de sal. O melhor local para instalar o dispositivo é logo a seguir ao filtro. Veja o diagrama esquemático no manual de instruções. Certifique-se de que sempre haja água a fluir pelo dispositivo quando a lâmpada estiver acesa. Nunca instale o dispositivo sob a luz solar direta. Instale o dispositivo numa área seca e bem ventilada. O dispositivo pode ser instalado na horizontal ou na vertical, desde que o fluxo de água seja de baixo para cima (ver diagrama esquemático no início do manual de instruções), com 30 cm de espaço desobstruído no lado oposto da conexão da lâmpada para manutenção futura. Deve deixar pelo menos um metro de espaço desobstruído do lado da conexão da lâmpada, para que futuramente possa substituir a lâmpada (K) sem ter que desconectar todo o dispositivo.

ATENÇÃO: todas as conexões e acoplamentos devem ser apertados manualmente, sem o uso de ferramentas. Isto é para evitar danos.

1. Remova a porca (X1) da parte inferior do reator (Figura 1).
2. Coloque a porca (X1) sobre a saída do sistema venturi. Cole o adaptador (K1) no acoplamento de cola (J1) com o lado da rosca primeiro. Em seguida, usando a peça de conexão, ligue o adaptador a uma extremidade e cole o venturi (A) na outra extremidade. Deixe os objetos colados secarem durante 8 horas (foto 2).
3. Verifique se o O-ring (W1) ainda se encontra na unidade. Monte o sistema venturi na entrada inferior do reator (Figura 3).

4. Desaparafuse a porca (X2) da parte superior do reator, do lado que deseja usar como saída. Prensada a peça de conexão (J2) na parte superior do reator, em seguida aperte a porca (X2) novamente. Coloque a tampa no outro lado afrouxando a porca (X2), coloque a placa cega (R) no reator e aperte novamente a porca (X2). (Figura 4).
5. O dispositivo pode ser conectado ao resto da tubulação de 3 formas diferentes. Rosca interna de 63 mm, 50 mm e 1,5".
 - 5a. Ligue a unidade ao tubo de 50 mm. Cole o adaptador (K2) com a rosca voltada para a unidade na peça de conexão (J2). Cole o tubo no adaptador (K2). Retire a porca (X2) e deixe os objetos colados evaporarem durante 8 horas. Fixe os objetos colados ao aparelho (Figura 5a).
 - 5b. Ligue a unidade a um tubo de 63 mm e 2". Cole o tubo na peça de conexão (J2). Retire a porca (X2) e deixe os objetos colados evaporarem durante 8 horas. Fixe os objetos colados ao aparelho (Figura 5b).
 - 5c. Ligue a unidade ao tubo roscado de 1,5". (Não fornecido). Aperte o adaptador (K2) ao tubo manualmente. Cole o adaptador (K2) na peça de conexão (J2). Retire a porca (X2) e deixe os objetos colados evaporarem durante 8 horas. Fixe os objetos colados ao aparelho (Figura 5c).
6. Remova o acoplamento de 3 partes do venturi. Coloque o anel de montagem sobre o tubo e cole a conexão ao tubo. Deixe as partes coladas secarem durante 8 horas. Em seguida, conecte o venturi (A) ao tubo (Figura 9).
7. Em seguida, monte o dispositivo completo incluindo o sistema venturi no local desejado entre os tubos. Fixe a unidade com as braçadeiras para tubos que foram fornecidas.
8. Monte o manômetro (M) no venturi. Use fita de Teflon (não fornecida) para isso. Aperte o manômetro manualmente (Figura 10).
9. Afrouxe a porca (U) na parte superior e remova o suporte da conexão (T) (Figura 6).
10. Insira parcialmente a lâmpada (V) no vidro de quartzo (S) e conecte a lâmpada ao suporte da conexão (T). Em seguida, com o suporte de conexão completamente no vidro de quartzo, insira a lâmpada até que se encaixe bem no O-ring (Y). Em seguida, aperte a porca (Figura 8).
11. Segure o tubo com a válvula de retenção (C). Prensada a seção curta da mangueira na parte inferior do aparelho na ponta da mangueira (F). Coloque a seção mais longa da tubulação no adaptador (L) do venturi (Figura 11).
12. Desaparafuse a tampa da extremidade (F) na parte inferior do reator. Inicie a bomba e verifique o sistema quanto ao fluxo e possíveis vazamentos. Em seguida, desligue a bomba novamente. Aparafuse a tampa da extremidade da porca (Z) (F) no reator.
13. Ligue a bomba novamente. Conecte o dispositivo UV-C a uma tomada de parede com um condutor de proteção à terra. Verifique se a lâmpada (V) está acesa através da saída transparente (X) do aparelho (Figura 23).
14. A quantidade de ozônio no sistema pode ser controlada pela válvula de esfera (B). Quanto mais apertada estiver a válvula de esfera, mais volume de ar enriquecido em ozônio entrará no sistema. A posição ideal no manômetro é de 0,4 a 0,7 bar.

MANUAL DE INSTRUÇÕES DO CONTADOR DE HORAS DIGITAL

Ao ligar o aparelho UV-C o programa inicia um controle a si próprio. O visor dá as seguintes indicações consecutivas e automáticas: 8888 (display test) ; r e número da versão de software;

Indicação de rede de frequência 50H ou 60H. Em seguida o visor mostra o número no contador.

Quando é a primeira vez que liga a lâmpada UV-C ou após fazer um "reset" ("reiniciação"), aparece o número 9.000 no visor. Junto ao dígito mais à direita pisca a cada segundo um ponto que é o indicador de que o contador está ligado. O visor marca o número de contagem introduzido a partir da fábrica de 9.000 horas. Até às 9.000 horas a lâmpada UV-C origina a sua radiação a 100%. Depois das 9.000 horas a radiação fica mais fraca e pode tornar-se insuficiente para atingir os resultados pretendidos. No caso de utilizar há mais tempo a lâmpada UV-C e esta já ter estado ligada então o visor irá visualizar o número anteriormente registado antes de desligar a lâmpada UV-C. No caso de você próprio ter alterado para cima ou para baixo o número de horas no contador então o visor vai mostrar o último número registado antes de ter sido desligado.

Caso assim o pretenda, pode alterar as configurações do contador de horas. Para tal deve agir do modo seguinte: Carregue durante mais de 5 segundos o botão (R) por baixo do visor. O visor mostra agora "rSt" que indica que foi selecionado o menu de utilizador. Após libertar o botão (R) começam a piscar à vez o número registado e o "rSt" no visor. Um toque curto de cada vez no botão leva-nos a percorrer várias possibilidades num menu. Há 3 possibilidades de escolha no menu: "rSt", "UP" e "dn".

- "rSt" significa (reset): com esta função o contador volta ao ajuste de fábrica de 9.000 horas. Esta escolha é confirmada pelo piscar à vez do número registado e o "rSt". Se pretender mesmo fazer o "reset" carregue o botão (R) durante mais de 5 segundos, o visor volta a registar 9.000, liberte depois o botão e a partir de agora o contador começa a contagem por ordem regressiva a partir das 9.000 horas. Esta função pode ser utilizada quando substituiu a lâmpada ou quando você próprio tenha alterado o número de horas e desejar voltar a ajustá-lo ao valor de fábrica.
- "up" significa (up): esta função permite aumentar o número de horas para o valor desejado. Esta escolha é confirmada pelo piscar à vez do ajuste do utilizador "up" e do número registado. Em seguida deve carregar durante mais de 5 segundos o botão (R). Após os 5 segundos aparece no visor só "up". Liberte agora o botão. Com um toque curto cada vez no botão o contador passa do valor de fábrica de 9.000 a subir em etapas de 500 de cada vez até um valor máximo de 9.999. O novo valor aumentado pisca à vez com "up" no visor. Caso tenha selecionado o número de horas desejado, espere agora 10 segundos. Após os 10 segundos o número de horas selecionado aparece no visor e inicia-se a contagem regressiva no contador. Se verificar que se enganou durante esta operação do aumento de horas, pode facilmente reajustar o contador para as 9.000 horas carregando durante mais de 5 segundos no botão. Neste caso o valor no contador é reiniciado para 9.000 podendo em seguida ser introduzido um novo valor.
- "dn" significa (down): esta função permite diminuir o número de horas para o valor desejado. Esta escolha é confirmada pelo piscar à vez do ajuste do utilizador "dn" e do número registado. Em seguida deve carregar durante mais de 5 segundos o botão (R). Após os 5 segundos aparece no visor só "dn". Liberte agora o botão. Com um toque curto cada vez no botão o contador passa do valor de fábrica de 9.000 a descer em etapas de 500 de cada vez até um valor mínimo de 0000. O novo valor reduzido pisca à vez com "dn" no visor. Caso tenha selecionado o número

de horas desejado, espere agora 10 segundos. Após os 10 segundos o número de horas selecionado aparece no visor e inicia-se a contagem regressiva no contador. Se verificar que se enganou durante esta operação do redução de horas, pode facilmente reajustar o contador para as 9.000 horas carregando durante mais de 5 segundos no botão. Neste caso o valor no contador é reiniciado para 9.000 podendo em seguida ser introduzido um novo valor.

O contador de horas alerta para a substituição da lâmpada do modo seguinte:

- A partir das 0672 horas; o visor pisca uma vez por segundo. A lâmpada tem de ser substituída dentro de 4 semanas.
- A partir das 0336 horas; o visor pisca duas vezes por segundo. A lâmpada tem de ser substituída dentro de 2 semanas.
- A partir das 0168 horas; o visor pisca quatro vezes por segundo. A lâmpada tem de ser substituída dentro de 1 semana.
- Com um número de horas de 0000 os dígitos piscam rapidamente e o contador deixa de contar. A lâmpada tem de ser imediatamente substituída.

PT

MANUTENÇÃO / DESMONTAGEM

Desconecte sempre a fonte de alimentação durante a manutenção/ desmontagem do dispositivo. O dispositivo deverá ser limpo pelo menos duas vezes por ano. Quando houver uma quantidade significativa de crescimento de algas e/ou acumulação de calcário na unidade, a manga de quartzo (S) deverá ser limpa.

A lâmpada especial deverá ser substituída após decorrido o número de horas de operação. O interior do reator poderá ser limpo com uma escova macia.

1. Drene a água do dispositivo.
2. Desaparafuse a porca (U) e retire a lâmpada (V) do encaixe (T). Retire a lâmpada do vidro de quartzo (S) e substitua a lâmpada (V) se necessário. Recomenda-se cuidado, pois tratam-se de peças muito frágeis.
3. Desaparafuse a porca (Z) na parte inferior. E remova a tampa da extremidade (F) (Figura 13).
4. Remova cuidadosamente o vidro de quartzo (S), primeiro afrouxando a porca (G) na parte inferior e, em seguida, desembale o vidro de quartzo da parte superior e, em seguida, remova o anel de vedação (D) e o anel deslizante (H) na parte inferior (consulte as Figuras 13 a 16). Nunca deverá usar a força! NOTA: Use sempre luvas e óculos de proteção.
5. Limpe o vidro de quartzo (S) com um agente adequado. Use sempre um pano macio para limpar o vidro, evite arranhões (Figura 17). NOTA: A conexão do vidro de quartzo, não pode, e não deve ser, desmontada. As tentativas de desmontagem podem causar vazamentos, quebra do vidro ou ferimentos pessoais. Quaisquer danos ao dispositivo UV-C em resultado da desmontagem não são abrangidos pela garantia.
6. Coloque o vidro de quartzo (S) de volta no reator inserindo primeiro o vidro de quartzo (S) no reator. Em seguida, deslize o anel O-ring (D) no vidro na parte inferior e depois o anel deslizante (H). Em seguida, gire a porca (G) de volta ao fundo, apertando com a mão (Figuras 18 a 20). Nunca deverá usar a força! NOTA: Use sempre luvas e óculos de proteção.

-
7. Substitua a tampa da extremidade (F) no reator. Volte a apertar a porca (Z) no reator (Figura 20).
 8. Com extremo cuidado, substitua a lâmpada no vidro de quartzo, substitua o O-ring (Y) no vidro de quartzo e conecte a lâmpada (V) ao suporte da lâmpada (T). Volte a aparafusar a porca (U) na caixa (Figura 21).

Se a caixa ou peça elétrica precisar ser substituída primeiro desconecte o aterramento da caixa. Ao instalar uma nova caixa ou peça elétrica, leia primeiro o capítulo sobre Instalação e Desmontagem. Certifique-se de que as várias peças soltas do aterramento sejam armazenadas corretamente. Estas não serão fornecidas juntamente com uma nova caixa ou peça elétrica. Em caso de dúvida sobre a conexão, consulte um instalador autorizado.

PT

**Para as instruções de segurança e as condições de garantia,
consulte o manual de instruções UV-C geral da VGE B.V.**



Перед установкой устройства внимательно ознакомьтесь с данной инструкцией по эксплуатации.

РАБОТА:

Внутри реактора УФ-озоновая лампа производит излучение с длиной волны 253,7 нм. Излучение этого типа подавляет бактерии, вирусы, водоросли и грибы (например, Legionella и Cryptosporidium). Устройство УФ-озон производит чистую, здоровую и прозрачную воду эффективным и экологически безопасным способом.

Вы устанавливаете УФ-озонатор "AOP Compact Ozone & UV-C 75W 2.0" в циркуляционный контур вашего бассейна. Установленная морским насосом, вода пропускается через генератор озона UVc. Из-за давления воды в реакторе окружающий воздух в техническом помещении всасывается через систему Вентури. Воздушный поток втягивается в устройство через клапан, установленный на устройстве, и циркулирует в кварцевой гильзе между его внутренней стенкой и лампой AOP Compact Ozone & UV-C. Лампа выполняет двойную функцию, одновременно вырабатывая озон и УФ-излучение. Поскольку воздух постоянно циркулирует в контакте с лампой, озон вырабатывается специальной лампой AOP Compact Ozone & UV-C, которая производит 0,6 грамма озона в час (приблизительно).







После прохождения трубки Вентури озон смешивается с водой в контуре. Здесь происходит окисление, и проводится мощный процесс дезинфекции. Затем водно-озоновая смесь подвергается воздействию УФ-излучения лампы, но на этот раз за пределами кварцевой гильзы. УФ-С разрушает озон, оставшийся в воде, превращая его в ОН- (гидроксильные радикалы), которые обладают очень высоким окислительным потенциалом.

Лампа выполняет двойную функцию озона: вырабатывает его, а затем разрушает ультрафиолетовым излучением. Озон в воде разрушается устройством UV-C сразу после прохождения генератора UVc.



ВНИМАНИЕ:

Внимательно прочтите эти инструкции перед установкой устройства.

 <p>Всегда убеждайтесь в правильном заземлении. Когда Вы сомневаетесь в заземлении электротехнической установки в целом, обязательно проконсультируйтесь с лицензированным электротехником. Неисправное заземление может быть опасным и/или привести к коррозии реакторов из нержавеющей стали или алюминия.</p>	 <p>Не разрешается пропускать через реактор жидкость или вносить в воду, которую будут обрабатывать, добавки, которые могут вызвать коррозию или разрушение используемых материалов. Это правило позволяет избежать опасных ситуаций, повреждения реактора и установок поблизости и/или флоры и фауны.</p>
 <p>Излучение этой ультрафиолетовой лампы опасно для глаз и кожи.</p>	 <p>Всегда отключайте устройство от напряжения перед началом обслуживания! Опасность поражения электрическим током. Подключать только к заземляемым типам розеток, снабженных устройством защитного отключения (УЗО). Не используйте удлинитель.</p>
 <p>Кварцевое стекло и УФ-лампа будут оставаться теплыми довольно долгое время после выключения установки. Время её остывания не менее 15 минут.</p>	 <p>Надевайте перчатки, чтобы не оставить на кварцевом стекле отпечатки пальцев. Отпечатки на кварцевом стекле и лампе при включении могут превратиться в нагар, который ослабит дезинфекцию.</p>

 <p>УФ-лампу никогда нельзя включать без потока воды в установке.</p>	 <p>Надевайте защитные очки во время обслуживания и установки устройства.</p>
 <p>В высокой концентрации озон может быть токсичным. Смог, вызванный озоном, может повредить легкие и слизистые оболочки людей и животных. Вдыхание может вызвать болезнь. Обонятельный озон следует рассматривать как высокую концентрацию.</p>	

МОНТАЖ СИСТЕМЫ ЗАЗЕМЛЕНИЯ (РИС. 22)

1. Перед установкой пластикового компенсатора натяжения (4) на болт заземления (1) необходимо протянуть кабель (2) через компенсатор натяжения (4). Разместите компенсатор натяжения (4) примерно в 10 см от проушины (2) заземляющего кабеля.
2. Наденьте проушину (2) кабеля на болт заземления, прикрепленный к корпусу.
3. Затем установите стопорную шайбу с упругими зубцами (3).
4. Прикрепите компенсатор натяжения (4) так, чтобы получилась петля диаметром 5 см.
5. В конце установите вторую стопорную шайбу с упругими зубцами (5) и стопорную гайку (6) на болт заземления.
6. После того как детали будут размещены на болте заземления в правильном порядке, болт можно затянуть с помощью рожкового или накидного ключа на 8 мм.

УСТАНОВКА УСТРОЙСТВА (СМ. ЧЕРТЕЖ 3)

Определите место установки устройства. При монтаже плавательного бассейна не устанавливайте УФ-излучатель UV-C после регулятора pH, дозатора хлора или системы солевого электролиза. Лучше всего устанавливать устройство непосредственно после фильтра. См. соответствующую принципиальную схему в инструкции по эксплуатации. Убедитесь, что при работе лампы вода исправно проходит через устройство. Устанавливать устройство необходимо в таком месте, где оно не будет подвергаться воздействию прямых солнечных лучей. Устройство должно располагаться в сухом, хорошо проветриваемом месте. Устройство можно установить как горизонтально, так и вертикально, при условии, что поток воды будет направлен снизу вверх (см. соответствующую принципиальную схему в начале инструкции по эксплуатации), а на стороне, противоположной стороне подключения лампы, будет иметься свободное пространство размером 30 см для обеспечения возможности проведения технического обслуживания. Со стороны подключения лампы необходимо оставить не менее одного метра свободного пространства для обеспечения удобной замены лампы (К) без необходимости отключения всего устройства.

ВНИМАНИЕ: все соединения и муфты должны затягиваться вручную без использования инструментов. В противном случае может произойти повреждение этих элементов.

1. Открутите гайку (X1) с нижней части реактора (рис. 1).
2. Поместите гайку (X1) на выпускное отверстие трубки Вентури. Вклейте переходник

- (K1) в клеevую муфту (J1) той стороной, на которой находится резьба. Затем приклейте трубку Вентури (A) к переходнику с помощью клеевой муфты. Дайте склеенным деталям просохнуть в течение 8 часов (рис. 2).
3. Убедитесь, что уплотнительное кольцо (W1) находится в излучателе. Установите систему Вентури у нижнего входа в реактор (рис. 3).
 4. Открутите гайку (X2) с верхней части реактора с той стороны, которую вы хотите использовать в качестве выхода. Присоедините клеевую муфту (J2) к верхней части реактора, а затем снова затяните гайку (X2). Другую сторону необходимо перекрыть: ослабьте гайку (X2), поместите заглушку (R) на реактор и закрутите гайку (X2). (Рис. 4).
 5. Устройство можно подключить к остальной части трубопровода одним из трех следующих способов (с использованием трубы 63 мм, 50 мм и с использованием трубы с внутренней резьбой 1,5 дюйма):
 - 5a. Присоединение излучателя к трубе 50 мм. Вклейте переходник (K2) в клеевую муфту (J2) резьбой по направлению к излучателю. Вклейте трубу в переходник (K2). Открутите гайку (X2) и дайте склеенным деталям просохнуть в течение 8 часов. Присоедините склеенные детали к излучателю (рисунок 5a).
 - 5b. Присоединение излучателя к трубе 63 мм x 2 дюйма. Вклейте трубу в клеевую муфту (J2). Открутите гайку (X2) и дайте склеенным деталям просохнуть в течение 8 часов. Присоедините склеенные детали к излучателю (рис. 5b).
 - 5c. Присоединение излучателя к трубе с внутренней резьбой 1,5 дюйма (не входит в комплект поставки). Затяните переходник (K2) на трубе вручную. Вклейте переходник (K2) в клеевую муфту (J2). Открутите гайку (X2) и дайте склеенным деталям просохнуть в течение 8 часов. Присоедините склеенные детали к излучателю (рис. 5c).
 6. Снимите трехкомпонентную муфту с трубки Вентури. Наденьте монтажное кольцо на трубу и приклейте соединение к трубе. Дайте склеенным деталям просохнуть в течение 8 часов. Затем присоедините трубку Вентури (A) к трубе (рис. 9).
 7. Теперь установите все устройство, включая систему Вентури, в нужном месте между трубами. Закрепите излучатель с помощью прилагаемых трубных хомутов.
 8. Установите манометр (M) на трубку Вентури. Для этого используйте тефлоновую ленту (не входит в комплект поставки). Затяните манометр вручную (рис. 10).
 9. Ослабьте гайку (U) сверху и снимите держатель фитинга (T) (рис. 6).
 10. Вставьте лампу (V) в кварцевое стекло (S), но не до конца, и подсоедините лампу к держателю фитинга (T). Затем вставьте лампу с держателем фитинга в кварцевое стекло до конца так, чтобы она плотно села на уплотнительное кольцо (Y). Затяните гайку (рис. 8).
 11. Возьмите шланг с обратным клапаном (C). Присоедините конец короткого отрезка шланга к соответствующему штуцеру (F) в нижней части устройства. Более длинный отрезок шланга установите на переходник (L) системы Вентури (рис. 11).
 12. Открутите заглушку (F) в нижней части реактора. Запустите насос и проверьте наличие потока в системе, а также убедитесь в отсутствии утечек. Затем отключите насос. Прикрутите гайку (Z), заглушку (F) обратно на реактор.
 13. Снова запустите насос. Подключите устройство UV-C к электросети с использованием провода защитного заземления. Убедитесь, что лампа (V) горит (это можно увидеть через

прозрачное выходное отверстие (X) излучателя (рис. 23)).

14. Количество насыщенного озонем воздуха в системе можно контролировать при помощи шарового клапана (B). Чем плотнее закрыт шаровой клапан, тем больше воздуха с озоном поступает в систему. Оптимальными показаниями манометра являются значения в диапазоне 0,4–0,7 бар.

ТОЛЬКО ДЛЯ МОДЕЛЕЙ С ТАЙМЕРОМ

Когда УФ лампа включается в первый раз или после использования функции сброса (reset), значение 9000 появляется на дисплее. Точка десятичной дроби, которая мигает раз в секунду рядом с самой правой цифрой на дисплее, показывает, что счетчик работает. Дисплей автоматически устанавливается на заводские показания 9000 часов. До 9000 часов УФ лампа обеспечивает заданный уровень излучения. После 9000 часов уровень излучения снижается. Этого излучения может быть недостаточно для того, чтобы достичь желаемого результата.

При каждом включении УФ лампы, которая ранее использовалась, дисплей покажет значение, которое было на нем до того, как УФ лампа была выключена. Если счет часов увеличился или уменьшился, дисплей покажет значение, которое было на нем до выключения.

Настройки счетчика часов могут быть изменены при желании. Это можно сделать так: После удерживания кнопки (R), расположенной под дисплеем, в течение 5 секунд дисплей покажет 'rSt', что означает активацию пользовательского меню. После отпускания кнопки (R) счетчик и надпись 'rSt' будут мигать на дисплее. Теперь каждое короткое нажатие на кнопку будет шагом по меню опций. В меню опций есть три пункта: 'rSt', 'up' и 'dn'.

- 'rSt' значит сброс (reset): сбрасывает таймер к заводским настройкам 9000 часов. Выбор этого пункта подтверждается чередованием на дисплее надписи 'rSt' и счетчика. Если кнопку (R) удерживать 5 секунд, после чего отображается показание таймера 9000, а затем отпустить, таймер начнет отсчитывать с 9000 часов. Эта опция используется, например, если лампа была заменена или когда режим счетчика был изменен и требуется возврат к заводским настройкам.
- 'up' (up, вверх): эта опция позволяет увеличить показания таймера до желаемого значения. Эта функция подтверждается выбором в меню пункта 'up', который мигает на дисплее вместе с показанием таймера. Теперь удерживайте кнопку (R) в течение 5 секунд. После 5 секунд дисплей будет показывать только 'up'. Теперь отпустите кнопку. Короткими нажатиями на кнопку показание счетчика может быть увеличено с 9000 шагами по 500 до максимального значения 9999. Увеличенное значение мигает на дисплее вместе с надписью 'up'. Когда нужное значение показания таймера достигнуто, подождите 10 секунд. Через 10 секунд выбранное показание таймера появится на дисплее и начнется отсчет. Если была допущена ошибка при задании показаний таймера, например, можно сбросить его до 9000, удерживая кнопку 5 секунд. После этого значение устанавливается на 9000 и можно задать новое значение.

- 'dn' (down, вниз): эта опция позволяет уменьшить показания таймера до желаемого значения. Эта функция подтверждается выбором в меню пункта 'dn', который мигает на дисплее вместе с показанием счетчика часов. Теперь удерживайте кнопку (R) в течение 5 секунд. Через 5 секунд дисплей будет показывать только 'dn'. Теперь отпустите кнопку. Короткими нажатиями на кнопку показание счетчика может быть снижено с 9000 шагами по 500 до минимального значения 0000. Уменьшенное значение мигает на дисплее вместе с надписью 'dn'. Когда нужное значение показания таймера достигнуто, подождите 10 секунд. Через 10 секунд выбранное показание таймера появится на дисплее и начнется отсчет. Если была допущена ошибка при задании показаний таймера, например, можно сбросить его до 9000, удерживая кнопку 5 секунд. После этого значение устанавливается на 9000 и можно задать новое значение.

Счетчик часов показывает необходимость замены лампы следующим образом:

- С показания 0672 дисплей мигает каждую секунду. Лампу следует заменить в течение 4 недель.
- С показания 0336 дисплей мигает каждые полсекунды. Лампу следует заменить в течение 2 недель.
- С показания 0168 дисплей мигает каждую секунду. Лампу следует заменить в течение 1 недели.
- Когда показания таймера достигают 0000, цифры начнут часто мигать и отсчет прекратится. Лампу следует заменить.

ТЕХНИЧЕСКОЕ ОБСЛУЖИВАНИЕ/ДЕМОНТАЖ

Техническое обслуживание/демонтаж устройства могут проводиться только при отключенном питании.

Не реже двух раз в год устройство необходимо чистить от загрязнений. При обнаружении в излучателе значительного роста водорослей и/или отложения извести, кварцевую трубку (S) необходимо очистить.

Специальную лампу необходимо заменять по истечении определенного количества часов работы. Внутреннюю часть реактора можно очищать мягкой щеткой.

1. Слейте воду из устройства.
2. Открутите гайку (U) и снимите лампу (V) с фитинга (T). Извлеките лампу из кварцевого стекла (S) и замените лампу (V), если это необходимо. Действуйте осторожно, так как лампа и стекло очень хрупкие.
3. Открутите гайку (Z) внизу. Снимите заглушку (F) (рис. 13).
4. Осторожно снимите кварцевое стекло (S): для этого необходимо ослабить гайку (G) внизу и освободить кварцевое стекло вверх. Затем снимите уплотнительное кольцо (D) и скользящее кольцо (H) внизу (см. рис. 13–16). Ни в коем случае нельзя сильно давить на детали, дергать за них. ПРИМЕЧАНИЕ: Всегда надевайте защитные перчатки и очки.
5. Для очистки кварцевого стекла (S) применяйте подходящие чистящие средства. При очистке стекла используйте только мягкую ткань, избегайте царапин (рис. 17).
ПРИМЕЧАНИЕ: Конструкция не предусматривает разборку соединения кварцевого стекла.

Не пытайтесь разобрать соединение: это может привести к протечке, поломке стекла или травмам. Гарантия не распространяется на повреждения устройства UV-C, возникшие в результате его разборки.

6. Установите кварцевое стекло (S) обратно в реактор: сначала вставьте кварцевое стекло (S) в реактор. Затем наденьте уплотнительное кольцо (D) на стекло вниз, наденьте скользящее кольцо (H). Далее прикрутите гайку (G) обратно к нижней части устройства; затяните вручную (рис. 18–20). Ни в коем случае нельзя сильно давить на детали, дергать за них. ПРИМЕЧАНИЕ: Всегда надевайте защитные перчатки и очки.
7. Установите на реактор ранее открученную заглушку (F). Закрутите снятую гайку (Z) (рис. 20).
8. Осторожно установите лампу в кварцевое стекло, поместите уплотнительное кольцо (Y) на кварцевое стекло и подсоедините лампу (V) к патрону (T). Прикрутите гайку (U) обратно к корпусу (рис. 21).

Если требуется заменить корпус или электрические компоненты, сначала необходимо отсоединить заземление корпуса. Перед установкой нового корпуса или электрических компонентов ознакомьтесь с разделом «Установка и разборка». Убедитесь в наличии запасных частей для системы заземления. Они не поставляются с новым корпусом или электрическими компонентами. При наличии сомнений по поводу подключения, обратитесь к сертифицированным специалистам по установке.

В качестве основного документа с инструкциями по технике безопасности и условиями гарантийного обслуживания мы взяли руководство по UV-C от VGE B.V.



EN RECYCLE INFORMATION

The symbol of the barred bin printed on the product means that it must be collected separately from other rubbish when it will not be anymore in use. The user, at the end of the life of the product, will have to bring it to a proper rubbish collection centre for electric and electrical devices. Alternatively he can return the used product to the seller at the moment he buys a new unit, but only in proportion 1 to 1. A differentiated refuse collection is environmentally friendly and it helps the recycle of the materials, any other collection procedure is unlawful and will be subject to the law in force.

DE INFORMATIONEN DAS RECYCLAGE

Das Kennzeichen auf die Packung bedeutet dass es getrennt, von normalles Müll gesammelt werden muss, wenn das Gerät nicht mehr nutzbar ist. Wenn das Produkt kaputt ist soll der Besitzer es zu ein Sammelpunkt für elektrische Haushaltgeräte bringen. Oder wenn der Besitzer ein neues Gerät kaufen möchte kann Er/Sie das alte Gerät beim Verkäufer hinterlassen, nur 1 um 1 austauschbar. Getrenntes sammlung ist Umwelt freundlich und hilft dazu die alte Materialien neu nutzbar zu machen. Jeder andere/sonstige weise von sammeln ist nicht rechtsgültig.

FR INFORMATION DE RECYCLAGE

Le symbole du container barre sur le produit veut dire que le appareil doit etre recycle separe. Le usageur, a la fin du vie de le appareil, doit ramene le appareil a un centre de recyclage des appareils electrique. Une alternative est de le ramene a le vendeur sur le moment de une achat de une nouvelle produit, sur le base 1 sur 1. Une recyclage alternative est tres saine pour le environnement, et aide a une recyclage de materiel, une autre methode de jete le appareil est illegal, et sera puni par la loi.

NL RECYCLING INFORMATIE

Het symbool van de afvalbak op dit product geeft aan dat het product (als het niet meer wordt gebruikt) niet met het reguliere vuilnis mag worden aangeboden, maar dat het op de speciaal hiervoor ingerichte collectiepunten moet worden aangeboden voor recycling. Als alternatief kunt u het product ook aanbieden op het adres waar het is gekocht op het moment dat u een nieuw product koopt. Maar dit mag alleen op basis van 1 op 1. Een gescheiden afvalcollectie is beter voor het milieu en het helpt om door recycling de grondstoffen weer opnieuw te gebruiken. Elke andere manier van afvalverwerking met betrekking op dit product is strafbaar.



VGE B.V.
Nieuwe Eerdsebaan 26
5482 VS Schijndel
The Netherlands

Tel. +31 (0) 88 222 1999

info@vgebv.nl
www.vgebv.com
www.bluelagoonuv.com



Made in the
Netherlands

B300035

161535-V1